

GAS KETTLES

INSTRUCTION FOR INSTALLATION AND USE
DIE GEBRAUCHS UND INSTALLATIONSANWEISUNG
NOTICE D'INSTALLATION ET D'EMPLOI
INSTRUCTIE VOOR INSTALLATIE EN GEBRUIK
NÁVOD K OBSLUZE A INSTALACI
INSTRUKCJE MONTAŻU I OBSŁUGI
GHID DE INSTALARE SI UTILIZARE



BI(A) 90/100 G, BI(A) 90/150 G





CONTENT

Declaration of a standards conformity	3
Instruction for use	9
Cleaning and maintenance	12

INHALT



Die Normenübereinstimmungsdeklaration	13
Gebrauchsanweisung	20
Die Reinigung und Instandhaltung	23

CONTENU



Déclaration de conformité	24
Mode d'emploi	30
Nettoyage et entretien	33

INHOUD



De verklaring van overeenstemming met de normen	34
Gebruiksaanwijzing	42
Reiniging en onderhoud	45

OBSAH



Prohlášení o souladu s normami	50
Návod k použití	59
Čistění a údržba	61

TREŚĆ



Oświadczenie o zgodności z normami	62
Instrukcja obsługi	70
Czyszczenie i konserwacja	72

CONȚINUT



Declarație de conformitate cu regulile	78
Ghid de utilizare	85
Curățare și mentenanță	86

DECLARATION OF A STANDARDS CONFORMITY

The producer confirms that the devices agree with 2016/426/EU, 2014/30/EU, 2014/35/EU standards, rule nr. 22/1997 sb., nr. 258/2000 sb., nr. 258/200 sb., nr. 118/2016 sb., 117/2016 sb. and with relevant government orders. Installation must be done with respect to valid standards. Attention, the producer refuses any responsibility in case of direct or indirect damages which are caused due to wrong installation, incorrect intervention or modification, insufficient maintenance, incorrect use and also possibly caused by other reasons presented by items in sale conditions. This appliance is set only for skilled use and must be operated by qualified persons only. Parts set and secured by the producer or accredited person must not be rebuilt by user.

TECHNICAL DATA

Label with technical data is placed on the back side of the device. Study the electrical diagram of connection and all following information before installation.

Product type	Duplicator	Boiler volume (l)	Output (kW)	Supply voltage (V/Hz)	Dimensions (cm)
BI(A)-90/100G	yes	100	22,5	230/50	80x90x90 v
BI(A)-90/150G	yes	150	22,5	230/50	80x90x90 v

	12,8 kWh/kg G30/31 PROPANE/BUTANE 30mbar	12,8 kWh/kg G31 PROPANE 37mbar	12,8 kWh/kg G30/31 PROPANE/BUTANE 50mbar	9,45 kWh/kg G20 NATURAL GAS 20mbar
Burner nozzle 1/100mm	135	135	135	250
Burner nozzle overpressure - full output (mbar)	23	23	23	9
Burner nozzle overpressure - economy (mbar)	10	10	10	3
Gas consumption	1,7 kg/h	1,7 kg/h	1,7 kg/h	2,4 m3/h

PACKING AND DEVICE CHECK

The device leaves our stocks properly packed with appropriate symbols and labels. There are also appropriate instructions for use. In case the packing shows bad handling or damage, it must be reclaimed at transporter immediately by writing and signing of a damage protocol.

Important notice:

-This product is only intended for use inside.

Never use the appliance if it has a damaged supply cable or plug, if it is not working correctly, has fallen to the ground and been damaged or fallen into water. In such cases take the appliance to a professional service in order to verify that it is safe and works correctly.

- only for professional use
- this instructing guide must be read properly and carefully because it contains important information about safety elements, installation, use
- these recommendations refer to this product
- this product corresponds with valid standards
- this guide must be properly deposited for future use
- keep the children away from manipulation with the product
- when selling or moving the product to another place it is necessary to make yourself sure that the staff or the professional service has got acquainted with control and installation instructions from enclosed guide
- only authorised person can operate the product
- it can not be switched on without supervision
- we recommend to have the product checked by professional service min. once a year
- only original spare parts can be used for repairs
- the product can not be cleaned by the water jet or pressure shower
- by damage or break down disconnect all the feeders (water, gas, electricity) and call professional service
- producer refuses any responsibility in case of damages caused by wrong installation, by disobeying of above mentioned recommendations or by other use etc.

PLACEMENT

The device must be installed in well ventilated room what is necessary for regulation of the function of the device (technician must go by valid standard (EN....)). If the device is situated close to the wall or if it is in contact with the furniture walls, these walls must resist the temperatures ranging to 90°C. Installation, setting, putting into operation must be done by qualified person who is competent for this and according to the valid standards.

Wrap up the device and check whether it was not damaged during transport. Settle the device on horizontal surface (max imbalance 2°). Settle the device under the fume hood to eliminate water steam and bad smell. The device can be installed separately or in a set with devices of our production. Min. distance 10 cm from other subjects must be kept. It is also necessary to prevent our product from contact with combustible materials. In this case you must make corresponding changes to secure heat isolation of combustible parts. Safety measures from the standpoint of the fire protection according to EN 061008čl. 21:

TECHNICAL INSTRUCTIONS FOR INSTALATION AND REGULATION

Important:

The manufacturer does not provide warranty for defects caused by improper use, failure to instructions contained in the attached instructions for use and mistreatment of the appliances.

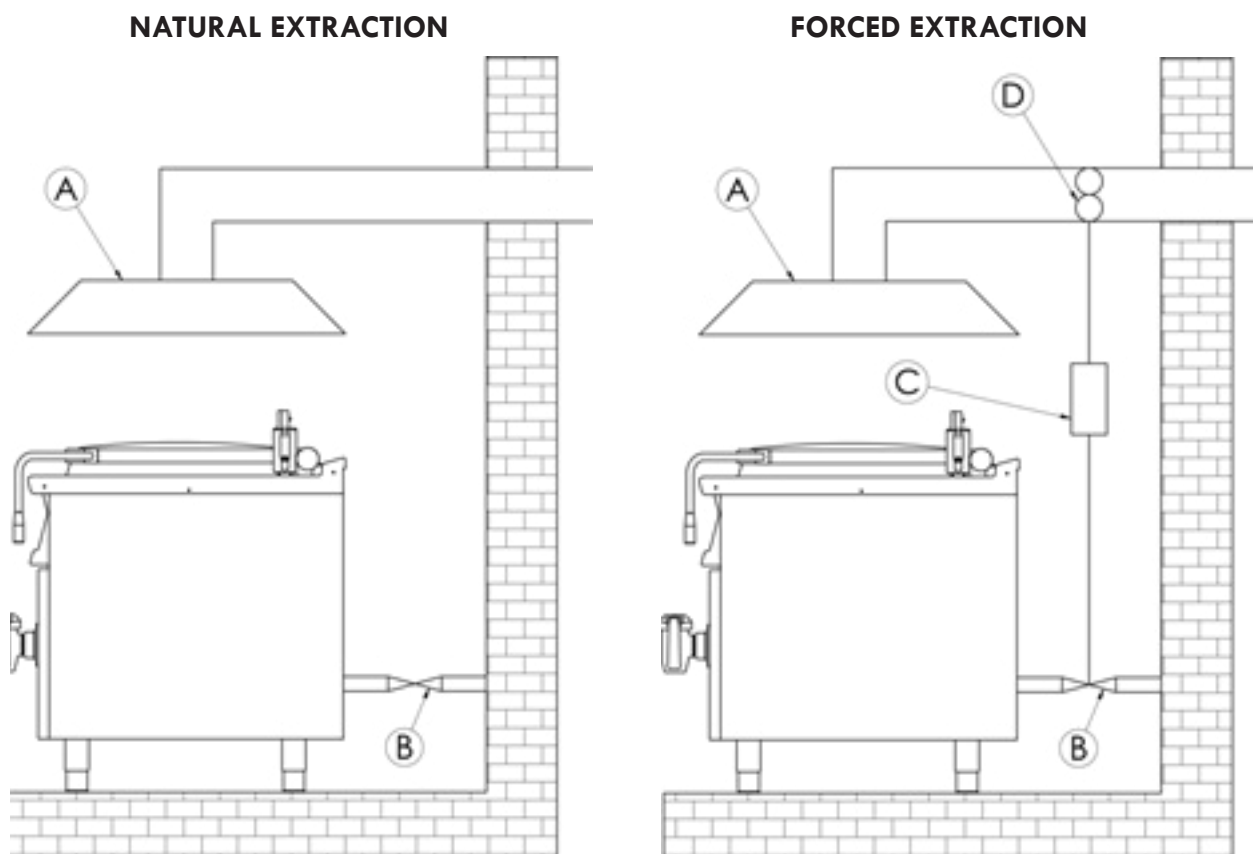
Installation, adjustment and repair of appliances for kitchens, as well as their removal because of possible damage to the gas can be carried out only under a maintenance contract, this contract may be signed with an authorized dealer, and must be complied with regulations and technical standards and regulations regarding the installation, power supply, gas connection and health & safety system.

These instructions are intended for the qualified technician who must perform the installation, put it into operation and test the appliance.

Any activity as settings, placement, rebalancing etc, must be made only when is device disconnected from electricity. If it is necessary to have the device connected to the electricity you must keep the highest attention to avoid any injuries.

DEVICE INSTALATION

CHIMNEY DESIGN FOR AN APPLIANCE –TYPE A



Outlet hood with natural extraction (A). Flue gas provides a natural chimney draft.

Outlet hood without natural extraction. Flue gas is secured by a fan (D) (forced extraction). In this case, it is necessary to secure the connection with a gas feeder (B) to turn off the gas supply in case of failure.

SAFETY MEASURES FROM THE STANDPOINT OF THE FIRE PROTECTION ACCORDING TO EN 061008 ČL. 21

- only adults can operate the device
- device must be safely used in common surroundings according to EN 332000-4-462; EN 332000-4-42. You must switch the gas device off under the circumstances leading: to the danger of the temporary rise of the combustion gas or steam or during works when there is a big possibility of rise of the temporary fire danger or explosion (for example: to stick linoleum, PVC etc.).
- before you start to instal the device you must get the licence for connection to the gas feeder from the gasworks
- device must be placed so as to stand or hang on the noncombustible surface which is on each side 10 cm larger than the device. No subjects from combustible materials can be placed directly on the device or in distance which is shorter than safety distance (the shortest distance is 50 cm in the direction of the heat emission and 10 cm in other directions).- safety distances from various materials of different degree of combustion and information about the degree of comb. of common building materials - see chart:

Chart:

Combustion degree of building materials classified according to the combustion degree of materials and products (EN 730823)

A noncombustible	granit, sandstone, concretes,bricks, ceramic wallfacing tiles, plaster
B uneasily combustible	akumine, heraklite, lihnos, itavere
C1 hardly combustible	leafy wood, plywood, sirkoklit, rare paper formica
C2 middle combustible	fibreboards, solodure, cork boards, rubber,floor-coverings
C3 easily combustible	wood-fibreboards, polystyrene,polyurethane, PVC

Devices must be instalated in a safe way. When instaling you must respect corresponding project, safety and hygienic orders according to:

- EN 061008 fire protection of local devices and sources of heat
- EN 332000 (33 2000-4-482; 33 2000-4-42) surrounding for electric devices ČSN EN 1775 Gas supplying
- Gas fi ttings in the buildings - the highest operational pressure < 5 bar - operation demands
- § 10 law nr. 185/2001 Sb. about waste

WATER CONNECTION

The hot and cold water supply is connected using supply hoses with G1/2 thread. Make the connection after removing the front panel. The water supply must be fitted with independent closures, which are easily accessibly and in reach of the device. The device also includes back-pressure valves. Water for filling the duplicator are must be softened – max 5° on the German water hardness scale.

The supplied water pressure must range from of 50 - 300 kPa.

The connection must comply with EN 1717 and with valid national water management regulations.


CONNECTION OF THE ELECTRIC CABLE TO THE ELECTRICITY

Installation of electric feeder - This feeder must be separately protected by a safety fuse according to the specific electric stream which depends on the wattage of the installed device. Check the wattage on the label at the back of the device. Connect the device directly to the electricity but you must put the switch between the device and electric net. The switch must be placed in min. distance 3 mm between the particular contacts according to the standards and loading. The feeder of grounding (yellow-green) cannot be interrupted by this switch. In every case feeding cable must be placed so that no point of the cable will reach the temperature which is 50°C higher than the temperature of the surrounding. Before connecting the device check that:

- safety fuse of the feeder and inner mains can stand the loading of the device (see label of the matrix)
- mains are equipped with effective grounding according to standards (ČSN) and conditions given by law
- socket or switch of the feed is well accessible from device

We refuse any responsibility in case of not respecting above mentioned rules. Before the first use it is necessary to remove all the protection foil and to clean the device - see chapter „cleaning and maintenance“.

Maintenance: We recommend to have the device checked once a year by the professional service. Only qualified or competent persons can do interventions in the product.

-  -Do not insert the power cable plug into the el. socket and do not pull it out of the el. socket with wet hands or by pulling on the cable!
-Do not use extension cables or power strips.

PIPE FOR GAS CONNECTION

It must first determine if the appliance is made for the same type of gas that will be used and thus conforms to the indications on the label the type of gas to be used.

The conversion of gas pan to another type of gas you need to check if it corresponds to the type of gas bearing, which is recommended in this guide.

Connecting the appliance to the gas distribution must be towable to a steel or copper tube complying with applicable national requirements. This must be controlled on regular basis and changed if needed. Every appliance must be equipped with shut-off valve and quick shut-off valve. Quick shut-off valve must be freely accessible and within reach of the device. After installation, is necessary to check whether there is a gas leak. To find a gas leak you can use soapy water or spray for gas leak detection.

Do not use corrosive substances!! All our appliances are carefully controlled. Gas type, pressure and of the categories listed named on the technical information plate.

Liquid gas connection:

Pressure for liquid gas connection must be 28 or 30 mbar for propane/butane and 37 mbar for propane. It is necessary to check the technical label ,gauge the pressure and check the parameters of the nozzle is installed with the required parameters of the nozzle according to the manufacturer's. If the pressure is lower than 25mbar or higher than 37 mbar, THE APPLIANCE SHALL NOT TO BE CONNECTED.

Gas Connection:

Pressure for methane connection must be 18 or 20 mbar. It is necessary to check the technical label ,gauge the pressure and check the parameters of the nozzle is installed with the required parameters of the nozzle according to the manufacturer's. If the gas pressure is lower than 15mbar or higher than 22,5 mbar, THE APPLIANCE SHALL NOT TO BE CONNECTED.

CHECKING HEAT OUTPUT

The appliances must be checked to verify their heat output:

The heat output is identified on the label or you can find it in these instructions.

First of all you must verify that the appliance is manufactured for the same type of gas that will be used and consequently that the identification on the label complies with the type of gas that will be used.

For modification of the boiler for use of another type of gas you must check that the type of identified gas complies with the gas recommended in this handbook.

Pressure is measured using a pressure gauge of the required sensitivity. The pressure gauge is connected to the appropriate site, the screw with the airtight closure must be removed and the pressure gauge connected. After the measurements have been taken the screw must be replaced and checked for leakage.

PRECAUTIONS FOR MODIFICATION AND CONNECTION TO ANOTHER TYPE OF GAS

Our appliances are certified and regulated for natural gas (see type label). Modification or adaptation to another type of gas must be executed by an authorised technician. The jets for various types of gas are in the bag packed with the boiler and are identified in hundredths of mm (table of technical burner data).

Replacing the burner nozzles

You must proceed in the following manner. Remove the front panel and remove the nozzle holder. Replace the burner nozzles on this according to the table of burner technical data. Replace the burner nozzle holder and adjust the gas valve overpressure on the nozzle to the required value for the given gas. This is done by removing the screw on the overpressure inspection site on the burner nozzle (pic. 4 pos. 1) and connecting a manometer to it. Then turn the device on to maximum and use a 10 mm spanner to tighten the nut to increase the overpressure and loosen it to reduce overpressure. After it has been adjusted to the prescribed value switch the device to economy mode. Use the spanner to hold the nut against turning and use a cross screwdriver to adjust the overpressure on the burner nozzle to the given value. Then replace the screw and check for leakage.

Important:

After the appliance has been adapted to another type of gas, this modification must be marked on the appliance label.

INSTRUCTIONS FOR USE

Before you start the boiler check that the duplicator is filled with water. The water level must reach the height of the inspection tap (pic. 2 pos. 6). If no water comes out of this tap when it is opened, the duplicator must be filled. Fill it with water by pressing the duplicator water supply button (pic. 1), which you should hold down until water starts coming out of the opened tap. Close the tap when water stops coming out of it.

Controls

Set the energy regulator (pic. 1, pos. B) to "MAX" and then turn the switch (pic. 1 pos. A) 90° to the right or left. This sets the device to maximum output. Turn the switch another 90° to set the device to medium output. Output can be reduced further using the energy regulator, as the switch is turned to a lower value = lower output. The energy regulator can also be used in the event that the switch is set to maximum output.

Igniting the burners

After setting the switch to maximum output or economy mode, the burners will ignite automatically. This is signalled by the green pilot light coming on (pic. 1 pos. D). If the burners do not ignite the red reset button will light up (pic. 1 pos. C). After it is pressed the ignition process will start again. If the orange pilot light is on (pic. 1 pos. E) this signals that the burners are on full. IN the event that it is not on this means that the burners are in economy mode. This could be caused by the switch being set to economy position, setting the energy regulator to any other position than „MAX“ or by the pressure switch in the event that there is sufficient pressure in the duplicator.

Switching the boiler off

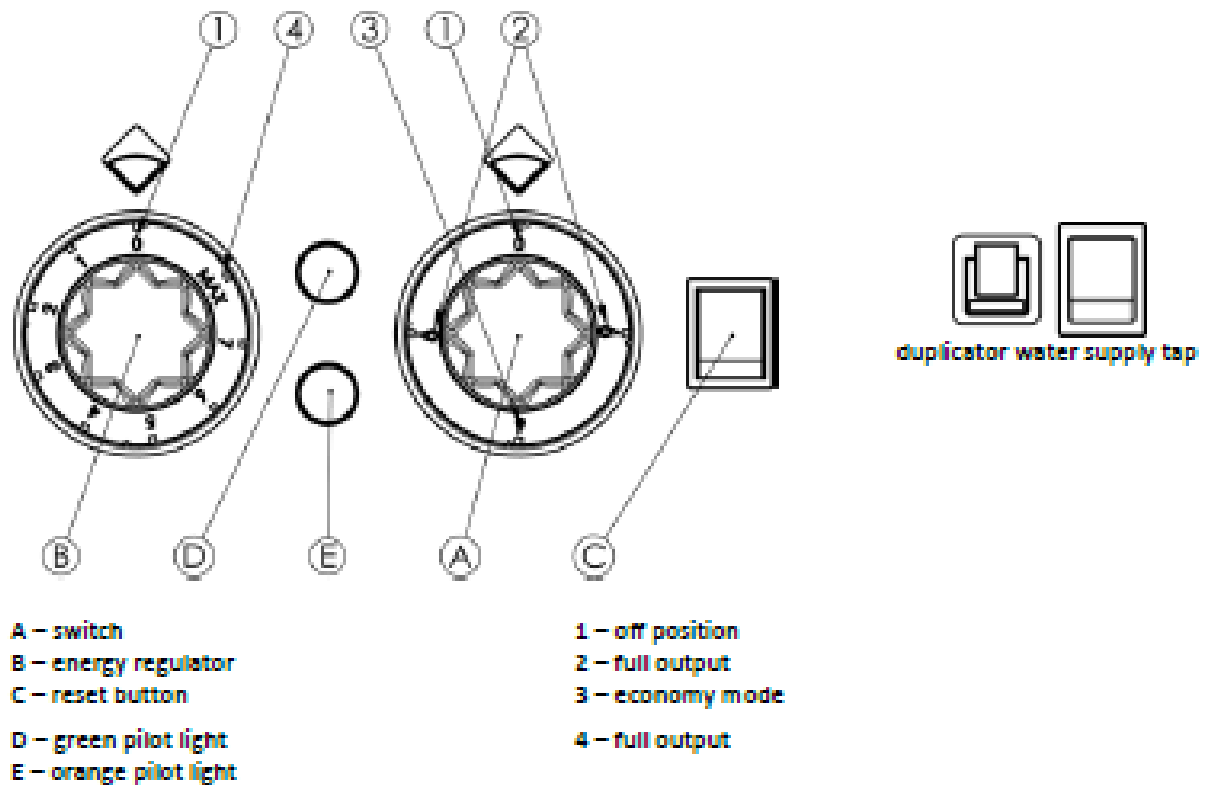
The boiler is switched off by turning the switch to position "0".

Control elements (pic. 1)

Use the water supply tap (pic. 2 pos. 10) on the upper plate of the boiler to fill the cooking area with water. Open the lid, turn the arm above the boiler area and turn the water on. After the boiler is full, turn the water off and turn the arm so that it is in parking position and close the boiler lid.

If the duplicator boils dry during operation immediately switch the boiler off. The duplicator can only be refilled after the boiler cools down. The duplicator could be damaged if this instruction is not followed!

The maximum water level is 40 mm below the upper edger of the tank. Remember that the water level will rise when the food to be cooked is inserted!



AUTOCLAVE MANUAL INSTRUCTION

Autoclave system does works in the same way as Papin pressure pot. For its safe operation the operator must ensure, that while in use all 4 shutters must be tight at maximum allowed level.

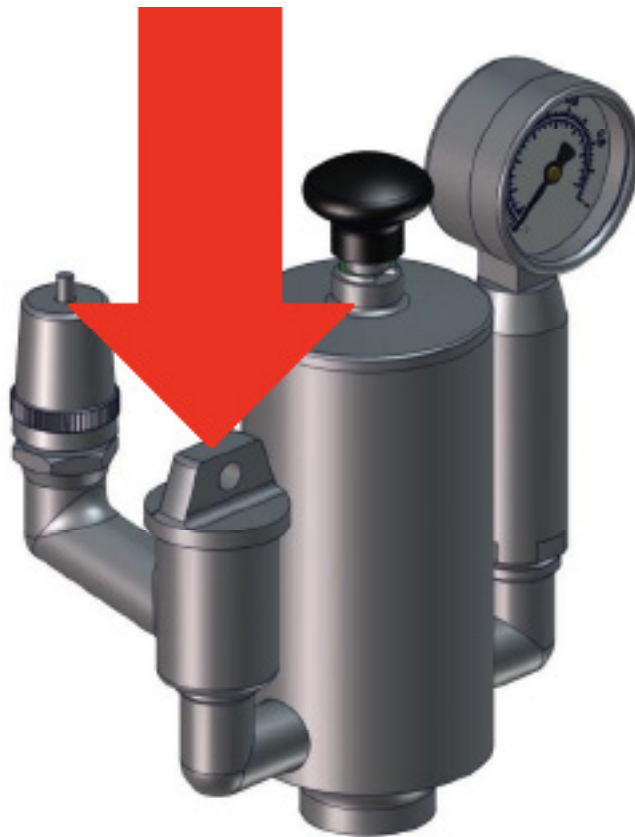
ATTENTION!!!

Before lid opening during operation is necessarily to depressurized kettle via safety valve placed in the middle of the lid otherwise serious injury might be caused.

NEVER RELEASE SHUTTERS DURING OPERATION WITHOUT DEPRESSURUZING THE INDIRECT HEATING KETTLE.

The manufacturer does not take any liability for injuries or property damage in case of misconduct of safe operation.

fig. A



Before you start the boiler check that the duplicator is filled with water. The water level must reach the height of the inspection tap. If no water comes out of this tap when it is opened, the duplicator must be filled. Refill in the water, using the filling valve (Fig. A). Keep refilling until the water starts flowing out of the open tap. As soon as the water stops flowing, close the valve when water coming out of it.

WARNING!

Never refill water in the duplicator while the boiler is in operation, or if the water in the duplicator is hot.

!!! DANGER OF INJURY OR DAMAGE OF THE DUPLICATOR !!!

CLEANING AND MAINTENANCE

MAINTENANCE

We recommend that the device be inspected at least twice a year by an expert servicing facility. Only a qualified individual, who is licensed to do so, may perform work on the device.

Warning! Before you begin to use the device you must remove the protective sheeting from the whole stainless steel surface, wash it well using water with washing up liquid and then wipe it with a rag soaked in clean water.

Never use the device if the duplicator is empty of water! This may cause damage to the device! Regularly check the water level in the duplicator and refill it.

If used for an extended period the appliance must undergo regular maintenance for safe use, we recommend you sign a servicing contract for this purpose.

Maintenance must only be performed by authorised servicing technicians, who follow the valid standards and regulations and advice contained in these instructions. The optimum frequency of preventive inspections is once every six months, if the device is used extensively an inspection once every three months is recommended. Preventive inspections help prevent more extensive malfunctions thereby economising operation of the device.

CLEANING AND MAINTENANCE:

Everyday cleaning of the device guarantees its perfect function and extended service life. Clean stainless steel parts using a moist rag with washing up liquid. Do not use cleaning products containing chloride or abrasives. After cleaning, wipe with a moist rag without washing up liquid.

Advice for cleaning individual components:

Thoroughly wash the boiler tank and wipe dry. Use washing up liquids intended for professional kitchens, intended for cleaning stainless steel items, to clean the device. In exceptional cases stains may appear in the internal duplicator container during operation of the boiler, these do not influence the functionality or health & safety, they are not a defect and cannot be the subject of a customer claim. Open the drainage valve and flush with clean water. Never drain the contents of the boiler without using a drain strainer. This could result in the valve becoming clogged and destroyed.

Every day after use the areas of friction on the drainage valve must be lubricated using food grade vaseline. The vaseline also ensures that the conical cock does not leak.

Procedure in case of defects:

Close the water supply and disconnect the electricity supply, immediately call the servicing organisation. If the device remains unused for an extended period close the water supply and disconnect the electricity supply.

DIE NORMENÜBEREINSTIMMUNGSDEKLARATION

Der Produzent erklärt, daß die Geräte in einer Übereinstimmung mit den Vorschriften der 2009/142/ES, 2014/30/ES, 2014/35/ES dem Gesetz Nr. 22/1997 sb., nr. 258/2000 sb., nr. 38/2001 sb., nr. 616/2006 sb., 17/2003 sb. der Sammlung und zugehörigen Regierungsverordnungen stehen. Die Installation muss mit der Absicht auf geltende Normen durchgeführt werden. Vorsicht, im Falle einer direkten oder indirekten Beschädigung, die sich auf falsche Installation, unrichtigen Eingriff oder Anpassungen, ungenügende Instandhaltung, unrichtige Verwendung beziehen, und welche eventuell durch andere Ursachen, als in Punkten der Verkaufsbedingungen angeführt ist, so verzichtet der Importeur auf jegliche Verantwortung. Dieses Gerät ist nur für fachliche Verwendung bestimmt und muß durch qualifizierte Person bedient werden. Teile, die nach der Einstellung durch den Hersteller oder durch befugte Person gesichert wurden, dürfen vom Benutzer keineswegs umgestellt werden.

DIE TECHNISCHEN DATEN

Das Schild mit technischen Angaben ist auf der Rückseite des Gerätes angebracht. Studieren sie vor der Installation das elektrische Schema der Einschließung und alle folgende Informationen durch.

Model	Kessel-Volumen (l)	Aufnahmeleistung (kW)	Anschluss-spannung (V/Hz)	Masse (cm)	Gewicht (kg)
BI(A)-90/100G	100	22,5	230/50	80x90x90 h	134
BI(A)-90/150G	150	22,5	230/50	80x90x90 h	143

	G30/31 PROPANE/BUTANE 30mbar	G31 PROPANE 37mbar	G30/31 PROPANE/BUTANE 50mbar	G20 NATURAL GAS 20mbar
Brennerdüse Durchm. 1/100mm	135	135	135	250
Düsenüberdruck - Volleistung (mbar)	23	23	23	9
Düsenüberdruck - Spar-Betrieb (mbar)	10	10	10	3
Gasverbrauch	1,7 kg/h	1,7 kg/h	1,7 kg/h	2,4 m3/h

DIE VERPACKUNGS-, UND VORRICHTUNGSKONTROLLE

Die Vorrichtung verlässt unsere Lager in ordentlicher Verpackung, auf deren die entsprechenden Symbole und Bezeichnungen stehen. In der Verpackung befindet sich entsprechende Bedienungsanweisung. Falls die Verpackung eine schlechte Behandlung oder Anzeichen der Beschädigungen vorweist, muß dieses sofort beim Transporteur reklamiert werden und zwar durch Unterzeichnung eines Schadensprotokolles.

Wichtige Hinweise

-Das Erzeugnis ist nur zur Verwendung im Innenraum bestimmt.

Verwenden Sie den Verbraucher nie, wenn die Speisezuleitung oder der Stecker beschädigt sind, das Gerät nicht richtig arbeitet, ist auf den Boden gefallen und hat sich beschädigt oder ist ins Wasser gefallen. Bringen Sie in solchen Fällen den Verbraucher zu einem Fach-Kundendienst zur Überprüfung seiner Sicherheit und richtiger Funktion.

- Nur für professionellen Verbrauch geeignet
- Diese Bedienungsanleitung muss ordentlich und bedächtig gelesen werden, weil sie wichtige Informationen über Sicherheitsmerkmale, Installation und Anwendung beinhaltet
- Diese Empfehlungen beziehen auf diesen Produkt
- Der Produkt entspricht geltenden Normen
- Diese Anleitung muß ordentlich für die zukünftige Verwendung hinterlegt werden
- Hindern Sie den Kinder an Vorrichtungsm Manipulation
- Beim Verkauf oder Verlegung ist es notwendig sich zu überzeugen, daß die Bedienstperson oder Fachservis sich mit der Beherrschung und Installationsanweisung in beiliegender Anleitung, anvertraut gemacht haben.
- Das Produkt darf nur eingeschulte Bedienung bedienen
- Das Produkt darf nicht ohne Aufsicht ins Betrieb gesetzt sein
- Es ist empfohlen, minimal einmal pro Jahr eine Fachkontrolle durchführen zu lassen
- Bei eventueller Reparatur der Teilenumtauschungen müssen ausschließlich Originalteile angewendet werden
- Das Produkt darf nicht durch einen Wasserstrahl oder Druckbrause gereinigt werden
- Schalten Sie alle Leitungen (Wasser, Elektrizität, Gas) bei einer Störung oder beim schlechten Lauf aus und rufen Sie autorisierten Service an
- Der Hersteller verzichtet auf jegliche Verantwortung bei Störungen, die durch fehlerhafte Installation, Nichteinhaltung o.a. Empfehlungen, andere Verwendung u.ä, verursacht wurden

DIE PLATZIERUNG

Es ist unbedingt notwendig, zu der Regulation der Gerätetätigkeit, daß das Milieu - der Küche -, wo das Gerät installiert wird, sehr gut belüftbar ist (im Hinblick darauf: sei der Techniker sich mit geltenden Normen (EN) richtet). Wenn die Einrichtung so plaziert wird, daß sie im Mobiliarwandkontakt stehen wird, so müssen diese einer Temperatur von 90°C widerstehen. Die Installation, Herrichtung, Inbetriebnahme müssen durch qualifizierte Person, die zu solchen Vorkehrungen eine Befugnis hat und dies laut geltenden Normen nach, durchgeführt werden.

Packen Sie das Gerät aus und kontrollieren Sie , ob sich das Gerät während des Transportes nicht beschädigt hat. Platzieren Sie das Gerät auf eine waagrechte Fläche (maximale Unebenheit bis 2°). Stellen Sie das Gerät unter den Haubenabzug, damit Sie die Wasserdämpfe und den Geruch eliminieren. Das Gerät kann selbständig oder in einer Reihe mit Geräten unserer Herrstellung installiert werden. Es ist notwendig die minimale Entfernung von 10 cm zu anderen Gegenständen einzuhalten, so dass die Wärmeisollierung der brennbaren Teilen gewährleistet wird.

Das Gerät kann selbständig oder in einer Reihe mit Geräten unserer Herrstellung installiert werden. Es ist notwendig die minimale Entfernung von 10 cm zu anderen Gegenständen einzuhalten, so dass die Wärmeisollierung der brennbaren Teilen gewährleistet wird.

TECHNISCHE HINWEISE ZUR INSTALLATION UND REGELUNG

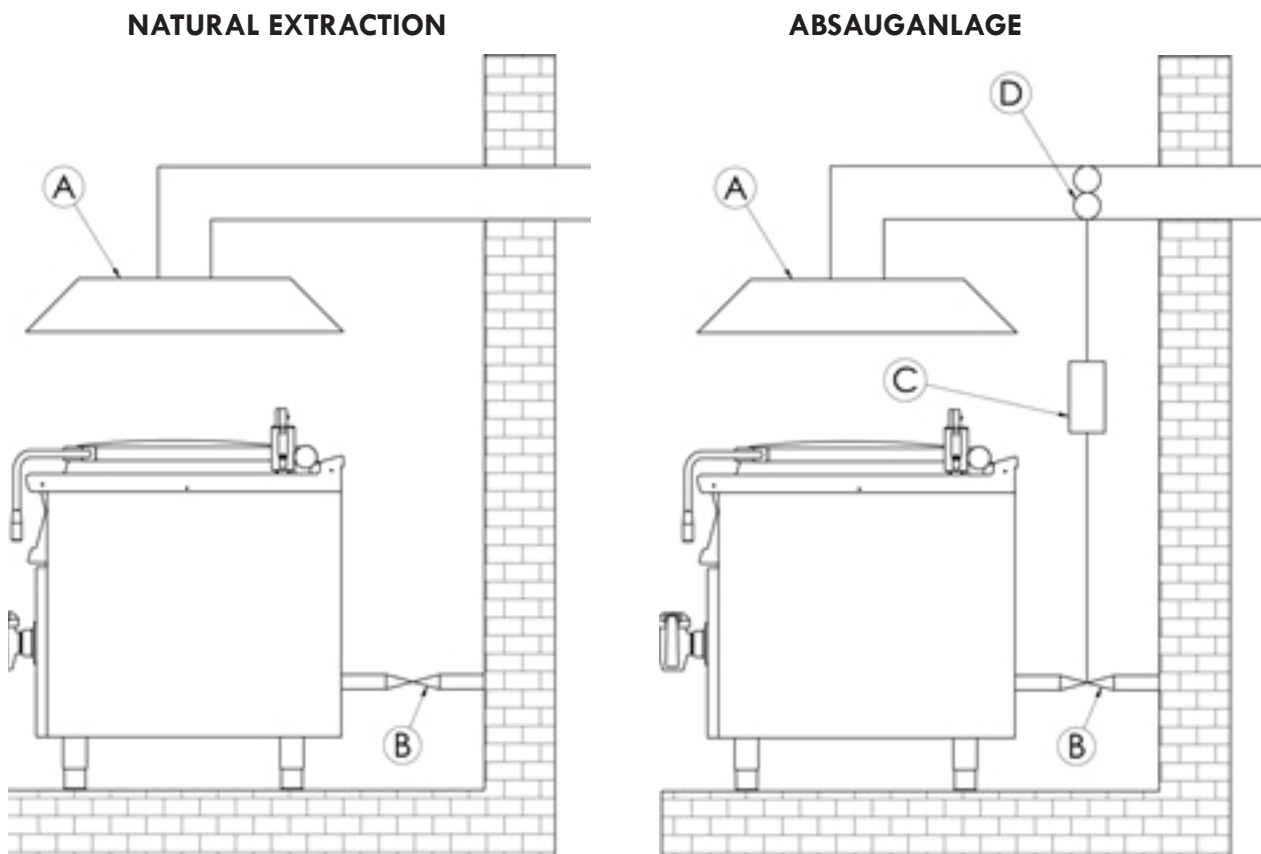
Wichtig:

Zur Benützung AUSSCHLIEßLICH nur für spezialisierte Techniker
Instruktionen, die folgen, wenden sich an den Techniker, der für die Installation qualifiziert ist, damit er alle Operationen mit der korrektesten Weise und laut der gültigen Normen durchführt.

Wichtig

Jeweils irgendeine Tätigkeit, die mit der Regulation verbunden ist u.ä, muß nur mit der aus dem Netz ausgezogenen und abgeschalteten Einrichtung vollgezogen sein.
Solange das Gerät unter der Spannung notwendig zu halten ist, eine höchste Vorsicht zu beachten vorliegt.

KAMIN-DESIGN FÜR EIN GERÄT VOM TYP A



Outlet Kapuze mit natürlichen Extraktion (A). Rauchgas sorgt für einen natürlichen Kaminzug.

Outlet Haube ohne natürliche Extraktion. Rauchgas wird durch einen Ventilator (D) (erzwungene Extraktion) gesichert. In diesem Fall ist es erforderlich, die Verbindung mit einer Gaszuführung (B), um die Gaszufuhr bei Ausfall zu sichern.

DIE SICHERHEITSVORRICHTUNGEN AUS DER SICHT DES FEUERSCHUTZES LAUT EN. 061008 ČL. 21

Die Einrichtungsbedienungen dürfen nur Erwachsene ausführen

- Das Gerät darf sicher in gewöhnlicher Umgebung laut EN 332000-4-482; EN 332000-4-42 verwendet werden.
- Es ist notwendig das Gerät so platzieren, daß es auf einer unbrennbaren Grundlage steht oder hängt.
- Es dürfen, auf und in eine Entfernung, die kleineremase als sicher vom Gerät bezeichnet wird, keine Gegenstände aus brennbaren Materilien (die kleinste Entfernung vom Brennbarem ist 10 cm) aufgestellt werden.
- Die sicheren Entfernungen von Massen der einzelnen Brenngra

Tabelle:

Baumassefeuerbrenngrad ins Brenngrad (EN) der Massen und Produkte eingegliedert

A	Unbrennbar	Granit, Sandstein, beton, Ziegel, Keramikbekleidung, Putz
B	nicht einfach brennbar	Akumin, Heraklit, Lihnos, Itaver
C1	schwer brennbar	Holz, Laubbaum, Furnier Sirkoklit, Festpapier, Umakart
C2	mittel brennbar	Holzspanplatten, Solodur, Korkplatten, Hartgummi, Bodenbeläge
C3	leicht brennbar	Holzfasernplatten, Polystyren, Polyureten, PVC

Die Bedarfsartikel müssen sicher installiert werden und sind mit regulierenbaren Beinchen - zur Ausgleichen der Höhe und der Unebenheiten eingestattet.

Die Geräte müssen in einer sicheren Weise installiert werden. Bei der Installation müssen weiter betreffende Projekt-, Sicherheits-, und Hygienevorschriften respektiert werden.

- EN 06 1008 Feuerschutz der örtlichen Geräte und der Wärmquellen
- EN 33 2000 (33 2000-4-482; 33 2000-4-42) Umgebung für elektrische Geräte
- Gasversorgung -Gasleitungen in Gebäuden - Höchste Verkehrsdruck ≤ 5 BarVerkehrsansprüche,
- § 10 des Gesetzes Nr.185/2001 Sb., der Abfälle betrifft.

ROHR FÜR GASANSCHLÜSSEN

Es muss zuerst feststellen, ob das Gerät für die gleiche Art von Gas, das verwendet werden soll, wird und entspricht damit den auf dem Etikett die Art des Gases verwendet werden.

Die Umwandlung von Gas Pflanze auf eine andere Gasart müssen Sie überprüfen, ob es auf die Art der Gas-Lager, die in diesem Handbuch empfohlen wird, entspricht.

Anschließen des Gerätes an die Gasversorgung muss Anhängelast auf einer Stahl-oder Kupferrohr Beachtung der geltenden nationalen Anforderungen. Dies muss regelmäßig kontrolliert werden und bei Bedarf geändert. Jedes Gerät muss mit Absperrventil und schnelle Absperrventil ausgestattet sein. Schnell-Absperrventil muss frei zugänglich sein und innerhalb der Reichweite des Gerätes. Nach der Installation ist zu prüfen, ob es ein Gas austritt. Um ein Gasleck Sie Seifenwasser oder Spray zur Lecksuche können zu finden.

Verwenden Sie keine ätzenden Stoffen! Alle unsere Geräte werden sorgfältig kontrolliert. Gasart, Druck und der Kategorien auf der technischen Informationen Platte benannt.

Flüssiggas-Anschluss:

Der Druck für Flüssiggas-Verbindung muss 28 oder 30 mbar für Propan / Butan und 37 mbar für Propan sein. Es ist notwendig, um die technische Etikett überprüfen, messen den Druck und Kontrolle der Parameter der Düse wird mit den erforderlichen Parametern der Düse gemäß der Herstellerangaben installiert. Ist der Druck niedriger als 25mbar oder höher als 37 mbar, darf das Gerät nicht ANZUSCHLIESSEN.

Gas-Anschluss:

Der Druck für die Methan-Anschluss muss 18 oder 20 mbar betragen. Es ist notwendig, um die technische Etikett überprüfen, messen den Druck und Kontrolle der Parameter der Düse wird mit den erforderlichen Parametern der Düse gemäß der Herstellerangaben installiert. Wenn der Gasdruck niedriger ist als 15 mbar oder höher als 22,5 mbar, darf das Gerät nicht ANZUSCHLIESSEN.

DER ELEKTRISCHE KABELNETZANSCHLUSS

Die Installation der elektrischen Ankupplung - Diese Zuleitung muß selbstständig gesichert werden. Und das durch entsprechende Sicherung des Nennstromes in der Abhängigkeit am Anschlußwert des installierten Gerätes. Kontrollieren sie den Anschlußwert des Apparates auf dem Produktionsschild im Hinterteil des Gerätes. Schließen Sie das Gerät direkt ans Netz an.

Es ist unbedingt notwendig zwischen das Gerät und das Netz einen Schalter zu legen, der eine minimale Entfernung von 3mm unter den Einzelkontakten aufweist und der auch den geltenden Normen und Belastungen entspricht. Die Erdungszuleitung (gelbgrün) darf nicht durch diesen Schalter unterbrochen sein.

Der Zuleitungskabel muß in jedem Fall so angebracht sein, dass er in keinem Punkt einer um 50°C höherer Temperatur als Umgebungstemperatur nicht erreicht. Eher das Gerät ans Netz angeschlossen wird, versichern Sie sich, dass:

- die Zuleitungssicherung und die Innenscheidung die Einrichtungsbelastung ertragen (siehe Matriceschild),
- die Verteilung mit wirksamer Erdung laut Normen (EN) und Gesetzbedingungen ausgestattet ist

WIR VERZICHTEN AUF JEGLICHE VERANTWORTUNG IM FALLE, DASS DIESE NORMEN NICHT RESPEKTIERT WERDEN UND IM FALLE DER NICHTEINHALTUNG DER OBENERWÄHNTER GRUNDSÄTZE.

Es ist notwendig die Schutzfolie vor der ersten Benützung zu beseitigen, sowie das Gerät zu reinigen siehe das Kapitel „Reinigung und Instandhaltung“.



-Führen Sie den Stecker der Speisezuleitung in die el. Steckdose und ziehen ihn aus der el. Steckdose mit nassen Händen und durch Ziehen der Speisezuleitung nicht!

-Verwenden Sie keine Verlängerungskabel oder Kombisteckdosen.

WARM - UND KALTWASSERANSCHLUSS

Der Anschluss an das Warm- und Kaltwasser erfolgt über Zuführschläuche mit Gewinde G1/2. Der Anschluss wird nach dem Abnehmen der vorderen Platte vorgenommen. Die Wasserzufuhr muss mit unabhängigen Verschlüssen versetzt werden, die frei zugänglich sind und die sich in der Reichweite der Einrichtung befinden. Einen Bestandteil der Einrichtung bilden Rückschlagventile.

Das Wasser zur Füllung des Duplikatorsraumes muss enthärtet sein – max 5° der deutschen Skala für die Wasserhärte. Der zugeführte Wasserdruck muss im Bereich 50 – 300 kPa liegen. Der Anschluss muss in Übereinstimmung mit der EN 1717 und den gültigen nationalen Vorschriften für die Wasserwirtschaft ausgeführt werden.

WÄRMELEISTUNGSPRÜFUNG

Die Verbrauchsgeräte müssen kontrolliert werden, um ihre Wärmeleistung zu überprüfen: Zuerst ist zu überprüfen, ob das Verbrauchsgerät für dieselbe Gassorte hergestellt wurde, die eingesetzt wird, also ob die Gassortebezeichnung auf dem Schild der eingesetzten Gassorte entspricht.

Zur Umstellung des Kessels auf eine andere Gassorte ist zu prüfen, ob die gekennzeichnete Gassorte der in diesem Handbuch empfohlenen Gassorte entspricht.

Der Druck wird mit einem Druckmesser mit erforderlicher Empfindlichkeit gemessen. Der Druckmesser wird an die entsprechende Stelle angeschlossen, es ist deshalb notwendig, die Schraube mit dem luftdichten Verschluss abzuschrauben und den Druckmesser anzuschließen. Nach der Beendigung der Messung ist die Schraube zurück zu schrauben und ihre Dichtheit zu überprüfen.

MASSNAHMEN ZUR UMSTELLUNG UND INSTALLATION AUF EINE ANDERE GASSORTE

Unsere Verbrauchsgeräte sind für das Erdgas zertifiziert und reguliert (siehe Typschild). Eine Umstellung oder Umrüstung auf eine andere Gassorte muss nur von einem berechtigten Techniker ausgeführt werden. Düsen für unterschiedliche Gassorten befinden sich in einem zum Kessel beigepackten Beutel und sind in Hundertsteln von mm gekennzeichnet (Tabelle mit technischen Brennerdaten).

Düsen austauschen

Es ist erforderlich, wie folgt zu verfahren: Bauen Sie die vordere Platte ab und demontieren Sie den Düsenhalter. Darauf tauschen Sie die Düsen nach der Tabelle mit den technischen Brennerdaten aus. Bauen den Düsenhalter wieder zurück und stellen Sie den Überdruck an der Düse auf entsprechende Werte für die gegebene Gassorte ein. Dies erfolgt so, dass Sie die Schraube am Kontrollüberdruckpunkt an der Düse ausschrauben (Abb. 4, Position 1) und daran das Manometer anschließen. Danach setzen Sie das Gerät auf maximale Leistung in Betrieb, mit dem Schlüssel 10 mm wird der Überdruck durch das Anziehen der Mutter erhöht und durch das Lösen reduziert. Nach seiner Einstellung auf den vorgeschriebenen Wert wird in die Spar-Betriebsart umgeschaltet. Mit dem Schlüssel halten Sie die Mutter gegen Verdrehung und mit dem Kreuzschlitz-Schraubendreher stellen Sie den Überdruck an der Düse auf den vorgeschriebenen Wert ein. Danach schrauben Sie die Schraube zurück und überprüfen Sie ihre Dichtheit.

Wichtig:

Nachdem die Umstellung des Verbrauchsgerätes

GEBRAUCHSANWEISUNG

Vor jeder Inbetriebnahme des Kessels prüfen Sie das Auffüllen des Duplikators mit Wasser. Vor jeder Inbetriebnahme des Kessels mit indirekter Beheizung prüfen Sie das Auffüllen des Duplikators mit Wasser. Der Wasserpegel muss in der Höhe des Prüfhahns liegen (Abb. 2, Position 8). Läuft aus dem geöffneten Hahn kein Wasser heraus, ist der Duplikator nachzufüllen. Füllen Sie das Wasser über den Druckknopf für Wasserauffüllung im Duplikator nach (Abb. 1), den Sie gedrückt halten, solange aus dem geöffneten Hahn kein Wasser fließt. Wenn kein Wasser läuft, schließen Sie den Hahn.

Bedienung

Stellen Sie den Energieregler (Abb. 1, Position B) auf „MAX“ ein und dann drehen Sie den Umschalter (Abb. 1, Position A) nach rechts oder links um 90°. So stellen Sie die maximale Leistung ein. Durch ein weiteres Drehen des Drehschalters um 90° stellen Sie den Spar-Betrieb ein. Die Leistung lässt sich weiter über den Energieregler reduzieren, wobei ein niedrigerer eingestellter Wert der niedrigeren Leistung gleicht. Den Energieregler benutzen Sie dann, wenn der Umschalter auf die Maximalleistung eingestellt ist.

Anzündung der Brenner

Nach dem Drehen des Schalters auf die Maximalleistung oder den Spar-Betrieb kommt es zur automatischen Anzündung der Brenner. Das wird durch das Aufleuchten der grünen Kontrollleuchte signalisiert (Abb. 1, Position D). Wenn es nicht gelingt, sie auf das erste Mal anzuzünden, leuchtet die rote Reset-Taste auf (Abb. 1, Position C). Nach dem Drücken kommt es zur wiederholten Anzündung.

Wenn die orange Kontrollleuchte (Abb. 1, Position E) leuchtet, signalisiert das, dass die Brenner mit Volleistung laufen. Falls sie nicht leuchtet, heißt es, dass sie sich im Spar-Betrieb befinden. Dies kann dadurch verursacht werden, dass der Umschalter in die Spar-Position umgeschaltet, der Energieregler auf eine andere Position als „MAX“ eingestellt wurde, oder durch den Druckschalter dann, wenn im Duplikator erforderlicher Druck erreicht wurde.

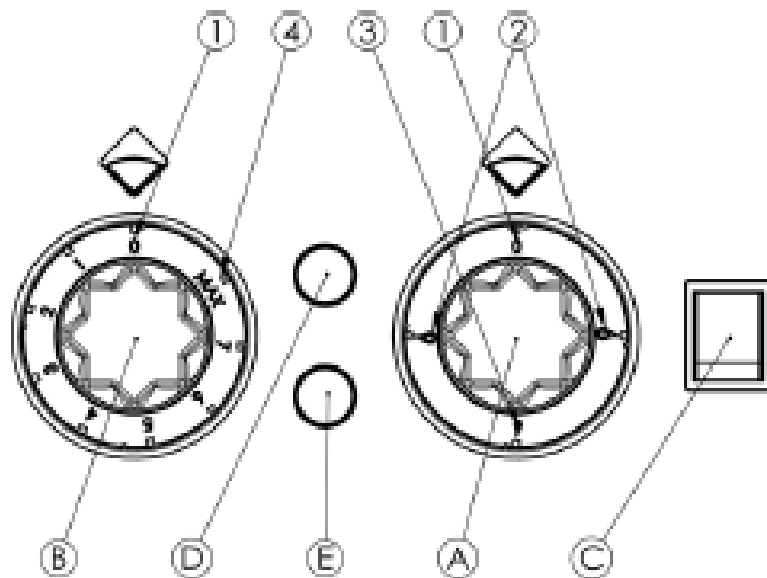
Ausschalten des Kessels

Ausschalten des Kessels wird durch das Drehen des Umschalters in die Position „0“ durchgeführt.

Zum Auffüllen des Kochraumes mit Wasser benutzen Sie die Auffüllbatterie (Abb. 2, Position 10) auf der oberen Kesselplatte. Öffnen Sie den Deckel, drehen Sie den Träger in die Parkposition um und machen Sie den Kesseldeckel zu.

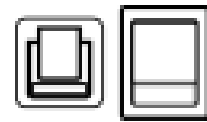
Kommt es während des Betriebes zum Auskochen des Wassers im Duplikator, schalten Sie den Kessel sofort aus. Das Nachfüllen des Wassers ist erst nach der Abkühlung des Kessels möglich. Falls diese Bedingung nicht eingehalten wird, droht eine Beschädigung des Duplikators!

Der maximale Wasserstand ist 40 mm unter dem oberen Rand der Wanne. Denken Sie daran, dass der Wasserstand nach dem Hineinlegen der Lebensmittel ins Wasser steigt!



A – Umschalter
B – Energieregler
C – Reset-Taste
D – Kontrollleuchte grün
E – Kontrollleuchte orange

1 – Stellung AUS
2 – Volleistung
3 – Sparregime
4 – Volleistung



Taste zum Wassereinlassen
 in den Duplikator

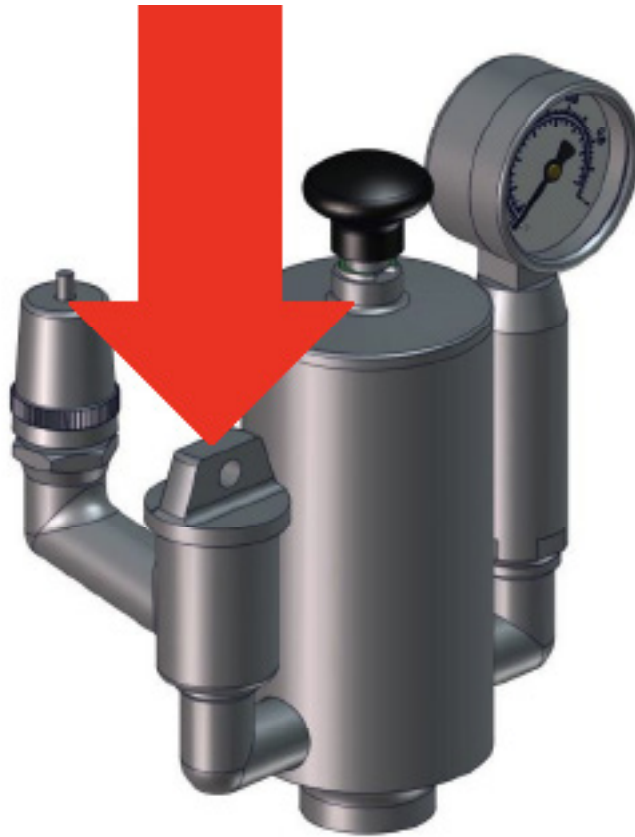
BEDIENUNG DES AUTOKLAVS:

Das Autoklav-System funktioniert nach dem gleichen Prinzip wie ein Schnellkochtopf. Für seine sichere Funktion sollte man sich vergewissern, dass alle 4 Klappen bis zur höchstzulässigen Grenze festgezogen sind.

ACHTUNG!!!!

Vor dem Öffnen des durch das Autoklav-System gesicherten Deckels ist stets der Druck in Form des Dampfes über das in der Mitte des Deckels befindliche Sicherheitsventil abzulassen. Die Nichteinhaltung dieses Verfahrens kann einen Unfall zur Folge haben, wobei der Hersteller für keinerlei Sach- und Gesundheitsschäden haftet.

fig. A



Vor jeder Inbetriebnahme des Kessels prüfen Sie das Auffüllen des Duplikators mit Wasser. Der Wasserpegel muss in der Höhe des Prüfhahns liegen (Abb. 2, Position 6). Läuft aus dem geöffneten Hahn kein Wasser heraus, ist der Duplikator nachzufüllen. Das Wasser füllen Sie mithilfe des Einlassventils auf (siehe Abb. A). Füllen Sie solange Wasser ein, bis aus dem geöffneten Hahn Wasser fließt. Sobald das Wasser nicht mehr fließt, schließen Sie den Hahn.

HINWEIS!

***Füllen Sie nie Wasser in den Duplikator, solange der Kessel in Betrieb ist, oder solange sich das Wasser im Duplikator nicht abgekühlt hat
! ES DROHT UNFALLGEFAHR BZW. DIE ZERSTÖRUNG DES DUPLIKATORS !***

WARTUNG

Es wird empfohlen, das Gerät mindestens zweimal jährlich von einem Fachservice überprüfen zu lassen. Sämtliche Eingriffe im Gerät können nur von einer qualifizierten und dazu berechtigten Person durchgeführt werden.

Vorsicht! Vor der Inbetriebnahme des Gerätes müssen Sie von der ganzen Oberfläche Schutzfolien an den rostfreien Blechen abziehen, das Gerät gut mit Wasser mit Spülmittel waschen und danach mit einem im sauberen Wasser eingetauchten Wischtuch abwischen.

Benutzen Sie das Gerät nie, wenn im Duplikator kein Wasser ist! Beschädigungsgefahr! Das Wasser im Duplikator regelmäßig kontrollieren und nachfüllen.

Bei längerer Benutzung des Verbrauchsgeräts ist seine regelmäßige Wartung wegen der Sicherheit notwendig. Wir empfehlen daher, einen Servicevertrag zu unterzeichnen.

werden, die sich an gültigen Normen, Vorschriften und in der Bedienungsanleitung enthaltenen Ratschlägen halten. Eine optimale Häufigkeit der vorbeugenden Prüfungen ist 1 x pro 6 Monate, bei extremer Belastung empfiehlt sich die Prüfungen 1 x pro 3 Monate durchzuführen. Dank dieser Prüfungen können schwerere Schäden vorgebeugt und dadurch ökonomische Belastung des Gerätebetriebes reduziert werden.

Reinigung und Wartung:

Die alltägliche Reinigung des Verbrauchsgerätes stellt eine Gewährleistung seiner perfekten Funktionierung und langzeitigen Lebensdauer dar. Nichtrostende Bestandteile mit einem feuchten Tuch mit Spülmittel abwaschen. Keine Mittel mit Chlor oder Schleifstoffe verwenden. Nach Abwaschen mit einem feuchten Tuch ohne ein Spülmittel abwischen.

RATSCHLÄGE ZUM REINIGEN DER EINZELNEN BESTANDTEILE:

Die Kesselwanne gründlich waschen und abwischen. Zur Reinigung für rostfreies Geschirr bestimmte Spülmittel für professionelle Küchen verwenden.

In Ausnahmefällen können beim Betrieb des Kessels, im inneren Duplikator-Gefäß, auf der Oberfläche Flecken erscheinen, die aber in keinerlei Hinsicht seine Funktion oder gesundheitliche Mängelfreiheit einschränken. Es handelt sich dabei um keinen Fehler, der beanstandet werden könnte. Das Auslassventil öffnen und mit reinem Wasser ausspülen. Den Inhalt des Kessels nie ohne das Auslasssieb auslaufen lassen. Verstopfungs- und Ventilentwertungsgefahr. Jeden Tag nach der Benutzung sind die Reibflächen des Auslasshahnes mit Nahrungsmittelvaseline durchzuschmieren. Beim Kegelhahn sichert die Vaseline zugleich seine Dichtheit.

Was ist in einem Schadensfall zu tun:

Den Wasseranschluss schließen und die Stromzufuhr abstellen und unumgänglich den Service anrufen. Bei langzeitiger Abstellung den Wasseranschluss schließen und den Stromanschluss trennen.

DÉCLARATION DE CONFORMITÉ

Le fabricant certifie la conformité des appareils aux normes 2009/142/ES, 2014/30/ES, 2014/35/ES à la loi n° 22/1997 sb., 258/2000 sb., 258/2000 sb., 616/2006 sb., 17/2003 sb. et aux décrets applicables. L'installation doit être effectuée dans le respect des normes en vigueur. Attention: le fabricant décline toute responsabilité en cas de dommages, directs ou indirects, causés par une mauvaise installation, par une utilisation, des interventions ou des modifications impropres, par un entretien insuffisant, ainsi qu'en cas de dommages dérivant des causes mentionnées dans les conditions de vente. L'appareil objet de la présente notice est prévu pour un usage professionnel, aussi son utilisation doit-elle être confiée à un personnel possédant les compétences nécessaires à cet effet. L'utilisateur ne doit procéder à aucune intervention ni à aucune modification sur les parties réglées et protégées par le fabricant ou autre personnel autorisé à cet effet.

CARACTÉRISTIQUES TECHNIQUES

L'étiquette sur laquelle figurent les caractéristiques techniques est apposée sur la partie postérieure de l'appareil. Avant de procéder à l'installation, prendre connaissance du schéma électrique et de toutes les informations que contient la présente notice.

Type de produit	Vase d'expansion	Volume chaudière (l)	Puissance (kW)	Tension d'arrivée (V/Hz)	Dimensions (cm)
BI(A)-90/100G	oui	100	22,5	230/50	80x90x90 h
BI(A)-90/150G	oui	150	22,5	230/50	80x90x90 h

	12,8 kWh/kg G30/31 PROPANE/BUTANE 30mbar	12,8 kWh/kg G31 PROPANE 37mbar	12,8 kWh/kg G30/31 PROPANE/BUTANE 50mbar	9,45 kWh/kg G20 NATURAL GAS 20mbar
Buse de brûleur 1/100mm	135	135	135	250
Surpression sur buse - puissance maximale (mbar)	23	23	23	9
Surpression sur buse - économique (mbar)	10	10	10	3
Consommation de gaz	1,7 kg/h	1,7 kg/h	1,7 kg/h	2,4 m3/h

CONTROLE DE L'EMBALLAGE ET DE L'APPAREIL

En vue de son transport, l'appareil quitte les établissements du fabricant parfaitement emballé (sur l'emballage sont apposés les étiquettes et les symboles nécessaires à cet effet). L'emballage contient également la notice des instructions d'utilisation. Dans le cas où l'emballage présenterait des dommages ainsi que dans le cas où il s'avérerait qu'il a été manipulé sans les précautions nécessaires, il est impératif d'adresser sans attendre une déclaration au transporteur en y joignant une acceptation de la marchandise sous réserve.

Recommandation importante:

-Le produit est destiné uniquement à un usage intérieur.

N'utilisez jamais cet appareil si le cordon ou la fiche sont endommagés, si l'appareil fait défaut, s'il a été échappé ou endommagé ou immergé. Dans ce cas, retournez cet appareil au centre service autorisé pour examen.

- Pour usage professionnel seulement
- La présente notice des instructions d'utilisation et d'entretien contient d'importantes informations relatives à la sécurité, à l'installation et à l'utilisation; il est nécessaire d'en effectuer attentivement la lecture.
- Les recommandations se réfèrent à l'appareil objet de la présente notice.
- L'appareil est conforme aux normes en vigueur.
- Veiller à bien conserver la notice de telle sorte qu'elle puisse être consultée à tout moment en cas de besoin.
- Ne pas laisser des enfants s'approcher de l'appareil durant son utilisation.
- Pendant la vente ou après le déménagement de l'appareil vérifier que le personnel lise attentivement la présente notice d'utilisation
- L'appareil ne peut être utilisé que par le personnel instruit
- L'appareil ne peut être laissé en marche sans surveillance
- Il est recommandé de faire l'appareil contrôler au moins une fois par an dans un service spécialisé
- Ne pas utiliser que des pièces détachées originelles.
- En cas de défaut ou de mauvaise fonction, débrancher l'appareil (eau, gaz, électricité) et appeler un service spécialisé
- Le fabricant décline toute responsabilité en cas de dommages, directs ou indirects, causés par une mauvaise installation, utilisation , etc

LA LOCATION

Le local dans lequel l'appareil est installé doit être bien ventilé. Si l'appareil doit toucher le parois , celui-ci doit résister à la chaleur de 90°C au minimum. L'installation, le réglage et la mise en marche doivent être effectués par une personne qualifiée ayant une autorisation nécessaire selon les normes en vigueur.

Déballez l'appareil et vérifiez s'il n'était pas endommagé pendant le transport. Placez l'appareil sur une surface horizontale (pente maximale de 2°). Placez l'appareil sous une hotte pour éliminer la vapeur et mauvaise odeur.

L'appareil peut être installé seul ou en série avec d'autres appareils de notre fabrication. Il faut respecter la distance minimale de 10 cm entre l'appareil et d'autres objets ainsi qu'éviter le contact avec les matériaux inflammables. Dans ce cas il faut prévoir les arrangements nécessaires pour assurer la protection des parties inflammables.

INSTRUCTIONS TECHNIQUES POUR INSTALLATION ET REGLEMENT

Important:

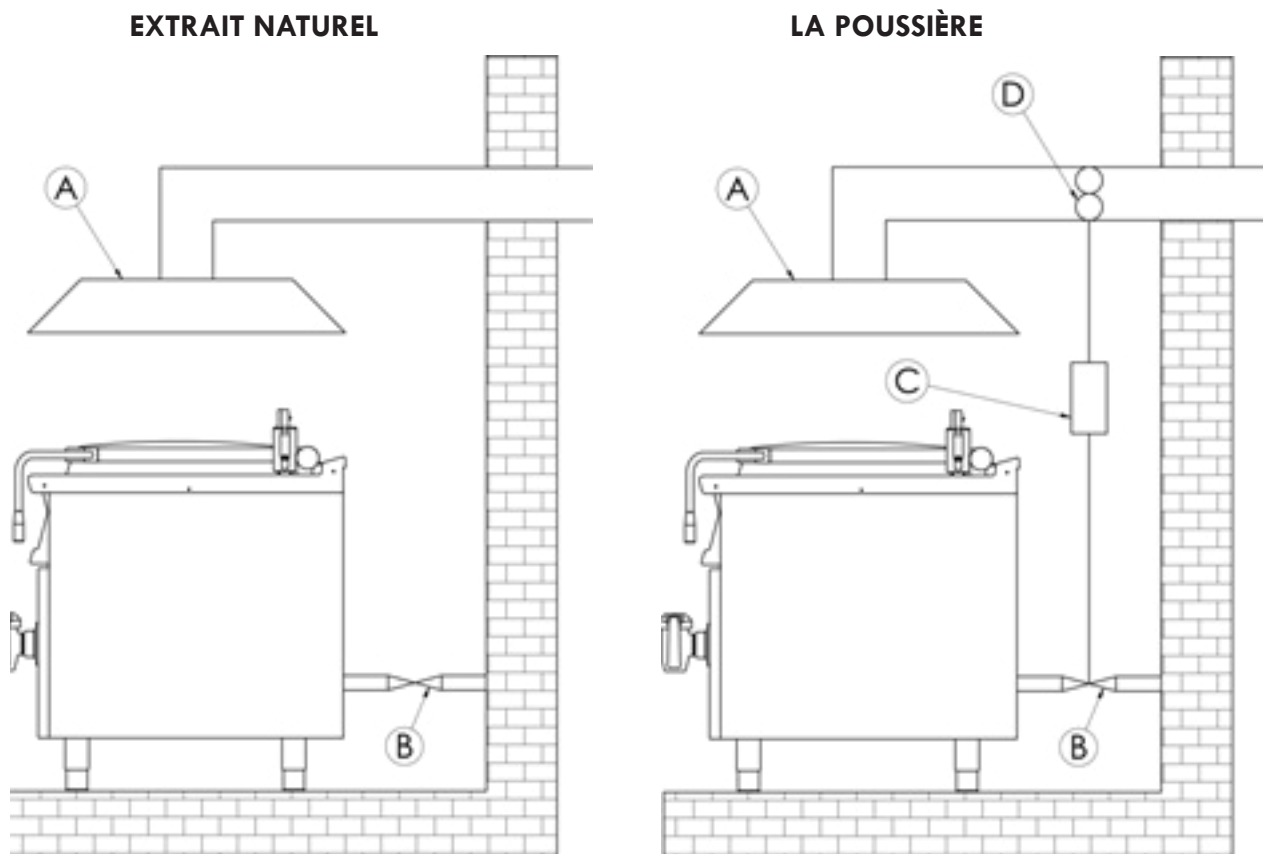
Le fabricant ne fournit pas de garantie pour les défauts causés par l'usage, tout manquement impropre aux instructions contenues dans les instructions ci-jointes pour l'utilisation et aux mauvais traitements des appareils.

Installation, réglage et réparation d'appareils pour les cuisines, ainsi que leur élimination en raison de dommages possibles au gaz peut être effectuée qu'en vertu d'un contrat de maintenance, ce contrat peut être signé avec un distributeur agréé, et doivent être conformes à la réglementation technique et normes et réglementations concernant l'installation, l'alimentation, de raccordement de gaz et de la santé et la sécurité du système.

Ces instructions sont destinées au technicien qualifié qui doit effectuer l'installation, le mettre en marche et tester l'appareil.

Toute activité en tant que paramètres, le placement, le rééquilibrage etc, doit être faite que lorsqu'il est périphérique déconnecté de l'électricité. Si il est nécessaire d'avoir le périphérique connecté à l'électricité, vous devez garder la plus grande attention afin d'éviter toute blessure.

CHEMINÉE POUR LA CONCEPTION D'UN DISPOSITIF DE TYPE A



Hotte aspirante avec extraction naturelle (A). Gaz de combustion fournit un tirage de la cheminée naturelle.

Bouchon à la sortie sans extraction naturelle. Des gaz de combustion est assurée par un ventilateur (D) (extraction forcée). Dans ce cas il faut assurer la connexion avec une alimentation en gaz (B) à l'alimentation en gaz en cas de défaillance.

MÉSURES DE SÉCURITÉ POUR LA PROTECTION CONTRE INCENDIE SELON EN 06 1008 ARTICLE 21:

- l'appareil ne peut être utilisé que par des personnes majeures
- l'appareil peut être utilisé dans un espace ordinaire selon EN 332000-4-482; 332000-4-42
- l'appareil doit être placé ou suspendu d'une manière stable sur une surface ininflammable

Il est interdit de placer sur l'appareil ou dans la distance inférieure à 10 cm de l'appareil des objets inflammables.

- les distances de sécurité pour les matériaux inflammables selon leurs degré d'inflammabilité et les informations sur l'inflammabilité des matériaux de construction – voir le tableau

Tableau:

degré d'inflammabilité d'un matériel de construction (EN 730823)

A ininflammables	granit, grès, béton, briques, carrelage céramique, enduit
B difficilement inflammables	acumin, héraclite, lihnos, itaver
C1 mal inflammables	bois des arbres feuillus, contre-plaqué, papier durci, umakart
C2 inflammabilité moyenne	aggloméré, solodur, liège, caoutchouc, revêtements
C3 inflammabilité facile	planches de fibre de bois, polystyrène, polyurethène, PVC

L'appareil doit être installé d'une manière sûre. Pour l'ajustage de l'appareil est ce-ci procuré des pieds réglables.

- EN 06 1008 protection contre incendie des consommateurs d'énergie locaux et des émetteurs de chaleur
- EN 33 2000 (33 2000-4-482; 33 2000-4-42) le milieu pour les appareil électriques

TUYAU D'AMENÉE DU GAZ

Il faut d'abord déterminer si l'appareil est fait pour le même type de gaz qui sera utilisé et est donc conforme aux indications figurant sur l'étiquette du type de gaz utilisé.

La conversion de la poêle à gaz à un autre type de gaz, vous devez vérifier si elle correspond au type de palier à gaz, ce qui est recommandé dans ce guide.

Connexion de l'appareil à la distribution de gaz doit être tractable à un tube d'acier ou de cuivre se conformer aux exigences applicables nationales. Ce doit être contrôlée sur une base régulière et changé si nécessaire. Chaque appareil doit être équipé d'un robinet d'arrêt et rapide robinet d'arrêt. Rapide robinet d'arrêt doit être librement accessible et à portée de main de l'appareil. Après l'installation, est nécessaire pour vérifier s'il ya une fuite de gaz. Pour trouver une fuite de gaz, vous pouvez utiliser de l'eau savonneuse ou un spray pour la détection de fuite de gaz.

Ne pas utiliser de substances corrosives! Tous nos appareils sont soigneusement contrôlés. Type de gaz, la pression et des catégories énumérées le nom figure sur la plaque de l'information technique.

Raccordement au gaz liquide:

La pression de gaz pour le raccordement de liquide doit être 28 ou 30 mbar pour le propane / butane et 37 mbar pour le propane. Il est nécessaire de vérifier l'étiquette technique, d'évaluer la pression et vérifier les paramètres de la buse est installé avec les paramètres requis de la buse selon les indications du fabricant. Si la pression est inférieure à 25mbar ou supérieure à 37 mbar, l'appareil doit ne pas être connecté.

Raccordement au gaz:

Pression pour la connexion du méthane doit être 18 ou 20 mbar. Il est nécessaire de vérifier l'étiquette technique, d'évaluer la pression et vérifier les paramètres de la buse est installé avec les paramètres requis de la buse selon les indications du fabricant. Si la pression du gaz est inférieure à 15mbar ou supérieur à 22,5 mbar, l'appareil doit ne pas être connecté.

BRANCHEMENT ÉLECTRIQUE

Installation de prise de courant – La prise de courant doit avoir un coupe-circuit indépendant en dépendance de puissance fournie de l'appareil. Vérifiez la puissance de l'appareil sur la plaque des caractéristiques techniques.

Branchez l'appareil directement au réseau, il faut mettre un interrupteur entre le réseau et l'appareil, son ouverture de contacts étant 3 mm au minimum. Câble de terre (vert-jaune) ne peut pas être interrompu par cet interrupteur. En tout cas, le câble de prise de courant doit être placé de telle manière que sa température ne dépasse jamais la température du milieu de plus que 50°C. Avant le branchement au réseau, s'assurer que :

- le coupe-circuit et distribution intérieure peuvent endurer la charge de l'appareil (voir la plaque)
- la mise à la terre fonctionne selon les normes en vigueur (EN) et selon la loi
- la prise ou l'interrupteur de circuit sont faciles d'accès

Le fabricant rénonce à toute responsabilité en cas que les normes ne seront pas respectés ainsi qu'en cas de dérogation des règles mentionnés ci-haut.

Avant la première utilisation, il faut retirer le film de protection et nettoyer l'appareil – voir chapitre « nettoyage et entretien ».

Entretien:

Il est recommandé de faire contrôler l'appareil dans un service spécialisé au moins une fois par an. Toutes les interventions peuvent être effectuées seulement par une personne qualifiée ayant une autorisation pour ces interventions.



- N'introduisez pas la fiche du cordon dans la prise de courant et ne débranchez pas l'appareil de la prise électrique si vos mains sont mouillées ou en tirant sur le cordon électrique !
- N'utilisez pas de rallonge ou de multiprise.

CONTRÔLE DE LA PUISSANCE THERMIQUE

Les appareils doivent être contrôlés pour vérifier leur puissance thermique :

La puissance thermique est indiquée sur la plaque ou vous pouvez la trouver dans le présent mode d'emploi

Il faut tout d'abord vérifier si l'appareil a été fabriqué pour le type de gaz qui sera utilisé et donc si l'indication sur la plaque correspond au type de gaz qui sera utilisé.

Pour la transformation de la chaudière à un autre type de gaz, il faut contrôler si le type de gaz indiqué correspond à celui qui est recommandé dans le présent manuel.

La pression est mesurée à l'aide d'un manomètre à sensibilité requise. Le manomètre est branché sur son point de destination – il faut dévisser la vis avec fermeture étanche et brancher le manomètre. A l'issue de la mesure, il faut revisser la vis et contrôler son étanchéité.

MESURES POUR LA TRANSFORMATION ET L'INSTALLATION À UN AUTRE TYPE DE GAZ

Nos appareils sont certifiés et réglés pour le gaz naturel (voir plaque). La transformation ou l'adaptation à un autre type de gaz ne doit être réalisée que par un technicien autorisé. Les buses pour les différents types de gaz se trouvent dans le petit sac joint à l'appareil et elles sont indiquées en centièmes de mm (tableau des données techniques des brûleurs).

Remplacement des buses

Il faut procéder comme suit : Démontez le panneau avant et le support des buses. Remplacez les buses conformément au tableau des données techniques des brûleurs. Remontez le support des buses et, sur la soupape de gaz, réglez la surpression sur la buse à la valeur correspondant au gaz utilisé. A cet effet, démontez la vis sur le point de contrôle de la surpression sur la buse (figure 4, point 1) et branchez-y le manomètre. Mettez l'appareil à la puissance maximale et à l'aide de la clé de 10mm, le serrage du boulon augmente la surpression et le desserrage la réduit. Après le réglage à la valeur prescrite, passez au régime économique. A l'aide de la clé, assurez le boulon contre tout mouvement et avec le tournevis en croix réglez la surpression sur la buse à la valeur exigée. Remontez ensuite la vis et contrôlez son étanchéité.

Important :

Après la réalisation du réglage de l'appareil à un autre type de gaz, il est indispensable d'indiquer la modification du gaz sur la plaque de l'appareil.

MODE D'EMPLOI

Avant chaque mise en service de la chaudière avec chauffage indirect, contrôlez le remplissage d'eau du vase d'expansion. La hauteur du niveau doit être à la hauteur du robinet de contrôle. Si l'eau ne coule pas de ce robinet ouvert, le vase d'expansion doit être complété. Complétez l'eau à l'aide du bouton de remplissage de l'eau dans le vase d'expansion (figure 1) que vous tenez jusqu'à ce que l'eau coule du robinet ouvert. Lorsque l'eau s'arrête de couler, fermez le robinet.

Commande

Réglez le régulateur d'énergie (figure 1, point B) à « MAX » puis tournez le commutateur (figure 1, point A) vers la droite ou la gauche de 90°. Il s'agit du réglage à la puissance maximale. En tournant de nouveau le commutateur de 90°, vous réglez la puissance économique. Il est possible de la réduire à l'aide du régulateur d'énergie – valeur réglée inférieur = puissance inférieure. Le régulateur d'énergie peut être utilisé également lorsque le commutateur est réglé à la puissance maximale.

Allumage des brûleurs

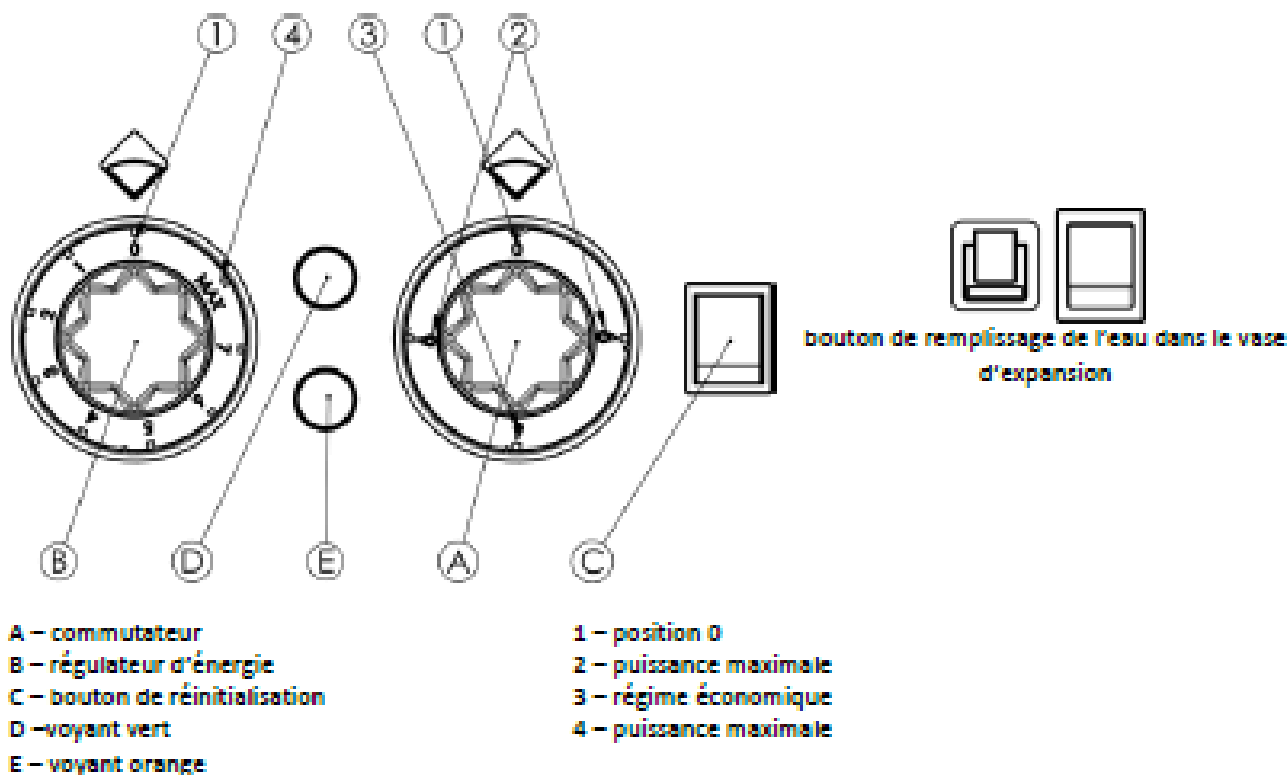
L'allumage automatique des brûleurs intervient lorsque le commutateur est mis en position puissance maximale ou régime économique. Cela est signalé par l'allumage du voyant vert (figure 1, point D). Si l'allumage ne réussit pas lors de la première tentative, le bouton de réinitialisation (figure 1, point C) s'allume en rouge. L'allumage est répété lorsque vous l'appuyez.

Si le voyant orange est allumé (figure 1, point E), il signale que les brûleurs fonctionnent à puissance maximale. S'il n'est pas allumé, ils fonctionnent en régime économique. Cela peut être dû à la position du commutateur en régime économique, au réglage du régulateur d'énergie en position autre que « MAX » ou au commutateur de pression en cas de pression suffisante dans le vase d'expansion.

Pour remplir d'eau l'espace de cuisson, utilisez le robinet de remplissage (figure 2, point 10) sur la plaque supérieure de la chaudière. Ouvrez le couvercle, déplacez le bras au-dessus de l'espace de la chaudière et ouvrez l'eau. Après le remplissage de la chaudière, fermez l'eau et déplacez le bras en position de stationnement, puis fermez le couvercle de la chaudière.

En cas d'ébullition de l'eau du vase d'expansion pendant le service, éteignez immédiatement la chaudière. Vous pouvez compléter l'eau après le refroidissement de la chaudière. Le non-respect de cette condition peut entraîner l'endommagement du vase d'expansion !

La hauteur maximale du niveau est de 40 mm en dessous du bord supérieur de la cuve. N'oubliez pas que le niveau monte lorsque vous mettez les aliments dans l'eau !



MODE D'EMPLOI DE L'AUTOCLAVE :

le système autoclave est basé sur le même principe que celui de l'autocuiseur. Pour que son fonctionnement ne soit pas dangereux il faut s'assurer que lors de son utilisation les 4 fermoirs soient serrés au maximum.

ATTENTION!!!!

Avant d'ouvrir le couvercle il faut dépressuriser l'autoclave en utilisant la valve de sécurité placée au milieu du couvercle. Le non-respect du mode d'emploi peut entraîner des dégâts ou blessures dont le fabricant n'assume pas la responsabilité, ni au niveau matériel ni au niveau médical.

fig. A



Avant chaque mise en service de la chaudière, contrôler le remplissage d'eau du vase d'expansion. La hauteur du niveau doit être à la hauteur du robinet de contrôle. Si l'eau coule pas de ce robinet ouvert, le vase d'expansion doit être complété. Complétez l'eau à l'aide de la vanne de mise à niveau (voir fig. A). Continuez d'ajouter de l'eau jusqu'à ce que l'eau commence à déborder par le robinet ouvert. Fermez le robinet lorsque l'eau arrête de couler.

AVERTISSEMENT !

N'ajoutez jamais d'eau dans le bain-marie lorsque la marmite est en marche ou lorsque l'eau du bain-marie n'est pas refroidie.

!!! RISQUE DE BLESSURE OU D'ENDOMMAGEMENT DE LA MARMITE BAIN-MARIE !!!

ENTRETIEN

Nous recommandons de laisser contrôler l'appareil au minimum deux fois par an dans un service spécialisé. Les interventions dans l'appareil ne peuvent être réalisées que par une personne qualifiée disposant d'une autorisation.

Attention ! Avant de commencer à utiliser l'appareil, il faut retirer de toute la surface le film de protection de la tôle inox, puis bien laver à l'eau avec détergent pour vaisselle, puis nettoyer avec un chiffon trempé dans de l'eau propre.

N'utilisez jamais l'équipement lorsque le vase d'expansion ne contient pas d'eau ! L'équipement risque d'être endommagé ! Contrôlez régulièrement l'eau du vase d'expansion et complétez.

Après une utilisation prolongée de l'appareil, un entretien régulier pour l'utilisation en toute sécurité est indispensable, nous recommandons donc de signer le contrat de service.

L'entretien ne peut être réalisé que par des techniciens de service qui respectent les normes et règlements en vigueur et les conseils compris dans le mode d'emploi. La fréquence optimale des contrôles préventifs est de 1 fois tous les 6 mois. Lors des charges extrêmes, il s'avère bon de réaliser les contrôles 1 fois tous les 3 mois. Les contrôles préventifs permettent d'éviter les pannes importantes et réduisent ainsi la charge économique de l'exploitation de l'équipement.

Nettoyage et entretien :

Le nettoyage quotidien de l'appareil est la garantie de son fonctionnement parfait et de sa longévité prolongée. Lavez les parties inox à l'aide d'un chiffon humide avec détergent. N'utilisez pas des détergents contenant du chlore ou des abrasifs. Après le lavage, nettoyez à l'aide d'un chiffon humide sans détergent.

CONSEILS POUR LE NETTOYAGE DES DIFFÉRENTES PARTIES :

Lavez bien la cuve de la chaudière et essuyez-la jusqu'à ce qu'elle soit sèche. Utilisez des détergents destinés aux cuisines professionnelles pour le lavage de la vaisselle inox. Lors de l'exploitation de la chaudière, des taches peuvent apparaître exceptionnellement sur la surface de l'intérieur du vase d'expansion. Elles ne limitent pas le fonctionnement ou la salubrité. Il ne s'agit pas d'un défaut et elles ne peuvent faire l'objet d'une réclamation.

Ouvrez la soupape de vidange et rincez à l'eau propre. Ne jamais vidanger le contenu de la chaudière sans le tamis d'écoulement. Vous risquez de boucher et d'endommager la soupape.

Après chaque journée d'utilisation, il est indispensable de graisser les surfaces de frottement du robinet de vidange à l'aide d'une vaseline alimentaire. La vaseline assure également l'étanchéité du robinet à cône.

Que faire en cas de panne :

Fermez l'arrivée de l'eau, débranchez le courant et appelez dans les plus brefs délais l'organisation de service. Lors d'un arrêt prolongé, fermez l'arrivée de l'eau et débranchez l'appareil.

DE VERKLARING VAN OVEREENSTEMMING MET DE NORMEN

De fabrikant verklaart dat de apparaten voldoen aan de basiseisen van de richtlijn 2016/426/EU, 2014/30/EU, 2014/35/EU verordening van de regering nr. 22/1997 Coll., nr. 258/2000 Coll., nr. 258/200 Coll., nr. 118/2016 Coll., nr. 117/2016 Coll.

Technische gegevens

Het typeplaatje met technische gegevens bevindt zich aan de zijkant of op de achterkant van het apparaat. Bestudeer het elektrische schema van het apparaat en alle onderstaande informatie, voordat u overgaat tot installatie van het apparaat.

Producttype	Inhoud (l)	Aansluitvermogen (kW)	Voedingsspanning (V/Hz)	Afmetingen(cm)	Gewicht (kg)
BI(A) 90/100G	100	22,5	230/50	80x90x90 v	140
BI(A) 90/150G	150	22,5	230/50	80x90x90 v	150

	12,8 kWh/kg G30/31 PROPANE/BUTANE 30mbar	12,8 kWh/kg G31 PROPANE 37mbar	12,8 kWh/kg G30/31 PROPANE/BUTANE 50mbar	9,45 kWh/kg G20 NATURAL GAS 20mbar
Burner nozzle 1/100mm	135	135	135	250
Burner nozzle overpressure - full output (mbar)	23	23	23	9
Burner nozzle overpressure - economy (mbar)	10	10	10	3
Gas consumption	1,7 kg/h	1,7 kg/h	1,7 kg/h	2,4 m3/h

Controle van de verpakking en het apparaat

Het apparaat verlaat ons magazijn in een verpakking die voldoet aan alle voorschriften en waarop zich de vereiste symbolen en markeringen bevinden. In de verpakking bevindt zich de overeenkomstige gebruiksaanwijzing. Indien de verpakking beschadigd is of wijst op onjuist transport, dient u dit onmiddellijk te reclameren bij de transporteur door middel van ondertekening van een schadeprotocol. Latere indiening van klachten wordt niet in aanmerking genomen.

Belangrijke aanwijzingen

Lees deze gebruiksaanwijzing aandachtig en nauwkeurig door, omdat zij belangrijke informatie bevat over veiligheidsvoorzieningen, installatie en gebruik van het apparaat.

- Het product is alleen bedoeld om binnenshuis te worden gebruikt.
- Gebruik het apparaat nooit als de stroomtoevoer of stekker beschadigd is, als het niet juist werkt, het op de grond is gevallen en beschadigd of in het water is gevallen. Breng in dergelijke gevallen het apparaat naar een gespecialiseerde service om te controleren of het apparaat veilig is en correct werkt.
- Deze aanbevelingen zijn van toepassing op dit product of productlijn.
- Deze handleiding moet zorgvuldig bewaard worden voor toekomstig gebruik.
- Zorg ervoor dat kinderen het apparaat niet kunnen bedienen.
- Wanneer u hebt apparaat verkocht of verplaatst, zorg er dan voor dat de persoon die het apparaat bedient of er de service van doet, bekend is met het gebruik en de installatie-instructies in de bijgevoegde handleiding.
- Het product mag uitsluitend worden bediend door een persoon die bekend is met deze gebruiksaanwijzingen.
- Het ingeschakelde apparaat niet zonder toezicht laten werken.
- Wij bevelen aan om het apparaat minimaal 2x per jaar een gespecialiseerde controle en onderhoudsbeurt te geven.
- Gebruik uitsluitend originele onderdelen bij eventuele reparatie of vervanging van onderdelen.
- Het apparaat mag niet schoongemaakt worden met een waterstraal of een hogedrukreiniger.
- Bij storingen of wanneer het apparaat niet goed werkt alle leidingen (water, stroom, gas) afsluiten en contact opnemen met de geautoriseerde service.
- De producent is niet aansprakelijk voor storingen die zijn veroorzaakt door incorrecte installatie, het niet in acht nemen van bovengenoemde aanbevelingen, gebruik dat niet in overeenstemming is met de bestemming van het apparaat enz.
- Het apparaat mag alleen worden gebruikt voor het doel waarvoor het is bedoeld. Elk ander gebruik is verboden en kan leiden tot gevaar of letsel
- Er moet worden gezorgd voor de strengste naleving van de brandbeveiligingsregels
- Tijdens en kort na het bedrijf zijn sommige delen van het apparaat heet
- Het is verboden om tijdens de werking andere delen van het apparaat aan te raken dan de hiervoor bedoelde bedieningselementen

Plaatsing

De volgende richtlijnen in overeenstemming met de normen TPG G 704 01, ČSN 127040 en ČSN 127010 moeten in acht worden genomen voor de juiste werking en opstelling van het apparaat.

Pak het apparaat uit een controleer of het tijdens het transport niet is beschadigd. Plaats het apparaat op een horizontale oppervlakte (de maximale oneffenheid mag maximaal 2° bedragen). Kleine oneffenheden kunnen worden opgevangen met de stelvoeten.

Als het apparaat zodanig geplaatst is dat het in contact komt met de wanden van het meubilair, dan moeten deze bestand zijn tegen temperatuur tot 60 °C. Installatie, afstelling en inbedrijfstelling moet door een gekwalificeerd persoon uitgevoerd worden die bevoegd is voor deze handelingen in overeenstemming met de toepasselijke normen.

Het apparaat kan afzonderlijk worden geïnstalleerd of in serie met door ons geproduceerde apparaten. Er moet een minimale afstand van 10 cm tot brandbare materialen aangehouden worden. In dit geval is het ook noodzakelijk de nodige aanpassingen uit te voeren om de warmte-isolatie van de brandbare onderdelen te waarborgen.

Het apparaat mag alleen worden geïnstalleerd op een onbrandbare ondergrond of tegen een onbrandbare wand.

De kleinste vereiste luchtstroming vanuit de buitenruimte voor de apparaten van versie A ligt in het bereik van 5-20 m³/h, afhankelijk van het type apparaat. Het hangt af van de installatievoorschriften van het land van bestemming.

De door de fabrikant of zijn vertegenwoordiger beveiligde onderdelen van het apparaat mag de persoon die de installatie van het product doet, niet wijzigen.

Installatie

Belangrijk:

De fabrikant verleent geen garantie voor storingen die zijn ontstaan als gevolg van oneigenlijk gebruik, het niet in acht nemen van de instructies in bijgevoegde gebruikershandleiding en verkeerde hantering van het apparaat.

Installatie-, aanpassings- en reparatiewerkzaamheden op het apparaat voor grote keukens, evenals hun demontage als gevolg van mogelijke schade aan de gastoevoer, kunnen alleen worden uitgevoerd op basis van een onderhoudscontract. Dit contract kan met een geautoriseerde verkoper afgesloten worden, met inachtneming van de technische voorschriften en normen en voorschriften betreffende installatie, elektrische toevoerleidingen, gasaansluiting en arbeidsveiligheid.

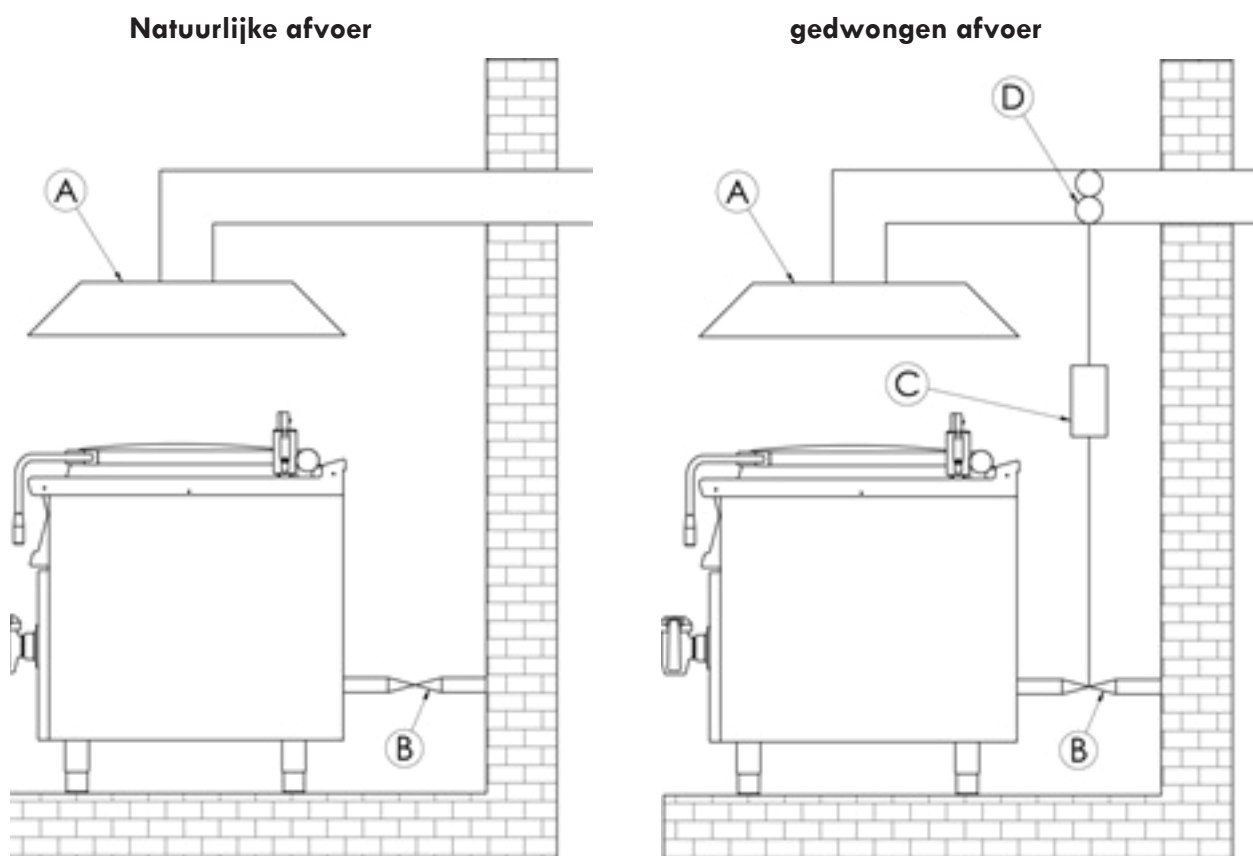
Technische instructies voor installatie en afstelling zijn **UITSLUITEND** bestemd om door gespecialiseerde technici te worden gebruikt.

De volgende instructies zijn bestemd voor een technicus die de juiste kwalificaties bezit voor de installatie, om te verzekeren dat hij alle handelingen op de juiste manier en in overeenstemming met de geldende normen kan uitvoeren.

Iedere handeling die te maken heeft met onder andere regulatie, moet worden uitgevoerd terwijl het apparaat is losgekoppeld van de stroomvoorziening. Indien het apparaat toch onder spanning moet staan, dient u de grootst mogelijke voorzichtigheid in acht te nemen.

Het type apparaat voor de uitvoering van afzuiging staat vermeld op het typeplaatje, dit zijn de apparaten van het type A1.

INSTRUCTIES VOOR HET UITVOEREN VAN GASAFVOER –TYPE A



Natuurlijke afvoer, gedwongen afvoer

De uitgang van de afzuigkap bevindt zich in een apart schoorsteenlichaam (A). Rookgasafvoer zorgt voor een natuurlijke trek van de schoorsteen.

De uitgang van de afzuigkap heeft geen natuurlijke afvoer. De rookgasafvoer wordt verzorgd door een ventilator (D), (gedwongen afvoer). In dit geval is het noodzakelijk om een aansluiting op de gastoevoer (B) te voorzien om de gastoevoer uit te schakelen bij een storing.

Veiligheidsvoorzieningen in verband met brandpreventie conform ČSN 061008 art. 21

- het apparaat mag uitsluitend door volwassenen bediend worden
- het apparaat kan veilig gebruikt worden in overeenstemming van de volgende normen:
ČSN 33 2000-4-482: Brandbeveiliging in gebieden met een speciaal risico of gevaar
ČSN 33 2000-4-42: Bescherming tegen invloeden van warmte

- het apparaat moet zo worden geplaatst dat het stevig staat of hangt op een vuurbestendige ondergrond
Op of naast het apparaat mogen zich geen brandbare voorwerpen bevinden binnen de veilige afstand die voor het apparaat is vastgesteld (de kleinste afstand tot brandbare materialen bedraagt 10 cm).

Tabel: De mate van brandbaarheid van bouwmaterialen (ČSN 730823) weergegeven per substantie en product

Mate van brandbaarheid	Bouwmaterialen
A – niet brandbaar	Graniet, zandsteen, beton, baksteen, keramische bekleding, pleisterwerk
B – heel moeilijk brandbaar	Acuminiet, heracliet, lihnos, itaver
C1 – moeilijk brandbaar	Hout, loofhout, fineer, sirkoklit, verstevigd papier, umakart
C2 – gemiddeld brandbaar	Spaanplaat, solodur, kurkplaat, harde rubber, vloerbedekking
C3 – zeer brandbaar	Vezelplaat, polystyreen, polyurethaan, PVC

- Informatie over mate van brandbaarheid van gewone bouwmaterialen staan in de tabel hieronder. Installeer het apparaat op veilige wijze. Neem bij de installatie de voorschriften voor ontwerp, veiligheid en arbeidshygiëne in acht overeenkomstig:
 - ČSN 06 1008 brandveiligheid van lokale apparaten en warmtebronnen
 - ČSN 33 2000-4-482 brandbeveiliging in gebieden met een speciaal risico of gevaar
 - ČSN 33 2000-4-42 bescherming tegen invloeden van warmte

De aansluiting van de gas slangaansluiting

Het aansluiten van het apparaat op de gasleiding moet via een stalen of koperen slang uitgevoerd worden die overeenkomt met de toepasselijke nationale vereisten. De buis moet regelmatig gecontroleerd worden en indien nodig, vervangen worden. Elk apparaat moet uitgerust zijn met een afsluiter en een snelafsluiter. De snelafsluiter moet vrij toegankelijk en binnen handbereik van het apparaat zijn. Na het voltooiën van de installatie moet gecontroleerd worden of er geen gaslek is. Om een eventueel gaslek op te sporen, kunt u een sopje of detectiespray gebruiken.

Gebruik geen stoffen die corrosie veroorzaken! Alle onze apparaten worden zorgvuldig gecontroleerd. Gastype, druk en aanduiding van de betreffende categorie zijn vermeld op het typeplaatje.

Aansluiting op vloeibaar gas:

De druk voor de aansluiting op vloeibaar gas moet 28 of 30 mbar voor propaan/butaan en 37 mbar voor propaan zijn. Het is noodzakelijk het plaatje te controleren, de druk te meten en te controleren of de parameters van de gebruikte sproeier overeenkomen met de gewenste parameters van de sproeier, overeenkomstig de eisen van de fabrikant. Als de druk lager is dan 25 mbar of hoger dan 37 mbar, **MAG HET APPARAAT NIET AANGESLOTEN WORDEN**. Aansluiting op aardgas: De druk voor de aansluiting op methaan moet 18 of 20 mbar zijn. Het is noodzakelijk het plaatje te controleren, de druk te meten en te controleren of de parameters van de gebruikte sproeier overeenkomen met de gewenste parameters van de sproeier, overeenkomstig de eisen van de fabrikant. Als de druk lager is dan 15 mbar of hoger dan 22,5 mbar, **MAG HET APPARAAT NIET AANGESLOTEN WORDEN**

Aansluiting van de elektrische kabel op het elektriciteitsnet

De aansluiting op het elektriciteitsnet - de voedingskabel moet zelfstandig beveiligd worden. Namelijk door de toepassing van een zekering voor nominale stroom, afhankelijk van het aansluitvermogen van het geïnstalleerde apparaat. Controleer het aansluitvermogen van het apparaat op het typeplaatje dat zich op het achterpaneel (of zijkant) van het apparaat bevindt.

De aangesloten aardkabel moet langer zijn dan de andere kabels. Sluit het apparaat direct op het elektriciteitsnet aan. Het is absoluut noodzakelijk om tussen het apparaat en het elektriciteitsnet een schakelaar te monteren die minimaal 3 mm van het enkelvoudige contact is verwijderd en die voldoet aan de geldende normen en belastingen. De aardkabel (geelgroen) mag niet door deze schakelaar worden onderbroken. Als het apparaat bedoeld is voor aansluiting in het stopcontact, sluit dit aan op het elektriciteitsnet als het stopcontact van een overeenkomstige zekering voorzien is.

De voedingskabel moet dusdanig worden bevestigd, dat hij op geen enkel punt warmer kan worden dan 50 °C boven de omgevingstemperatuur. Voordat u het apparaat aansluit op het elektriciteitsnet moet u controleren of:

- de voedingszekering en de stroomverdeler de stroombelasting van het apparaat verdragen (zie het matrixplaatje),
- het distributiepaneel is uitgerust met een aarding volgens de normen (ČSN) en de wettelijke voorschriften
- het stopcontact of de schakelaar in de voeding goed bereikbaar zijn vanaf het apparaat
- elektrische voedingleiding naar het apparaat moet gemaakt zijn van oliebestendig materiaal

We zijn niet aansprakelijk wanneer deze normen en de bovengenoemde principes niet in acht worden genomen.

Maak voor het eerste gebruik het apparaat schoon, zie het hoofdstuk „Reiniging en onderhoud“. Het apparaat moet geaard worden met behulp van de schroef met een aardingsmarkering.

- Dit label geeft het aardingspunt van het apparaat aan
- Steek de stekker van de voedingskabel niet in het stopcontact en trek ze niet uit het stopcontact met natte handen en door aan de voedingskabel te trekken!
- Gebruik geen verlengsnoeren of blok contactdozen.
- Het aansluitpunt van het net moet maximaal de ondervermelde impedantie Z_{MAX} conform ČSN EN 61000-3-11:2001 hebben. $Z_{MAX} = 0,042 + j 0,026 \Omega$ voor fasegeleiders en $0,028 + j 0,017 \Omega$ voor nulgeleider



- Dit label geeft het risico van een elektrische schok aan

Controle van de warmte-input

De apparaten moeten nagezien worden om hun warmte-input te controleren:

De warmte-input staat aangegeven op het plaatje of is te vinden in deze handleiding.

Er moet eerst gecontroleerd worden of het apparaat gemaakt is voor hetzelfde type gas dat gebruikt zal worden en dus conform is aan de aanduiding op het typeplaatje.

Bij het ombouwen naar een ander type gas moet u controleren of het type van het aangeduide gas overeenkomt met het type gas dat wordt aanbevolen in deze handleiding. De druk wordt gemeten met een manometer met de vereiste gevoeligheid.

De manometer moet op de betreffende plaats aangesloten worden, daarom is het nodig om de schroef met luchtdichte dop los te draaien en de manometer aan te sluiten. Na het voltooien van de meting moet de schroef terug vast gedraaid en op dichtheid gecontroleerd worden.

VOORZORGSMATREGELEN VOOR WIJZIGING EN AANSLUITING OP EEN ANDER TYPE GAS

Onze toestellen zijn gecertificeerd en gereguleerd voor aardgas (zie typeplaatje). Wijziging of aanpassing aan een ander type gas moet worden uitgevoerd door een geautoriseerde technicus. De jets voor verschillende gassoorten zitten in de zak verpakt bij de ketel en zijn aangegeven in honderdsten van mm (tabel met technische brandergegevens).

Vervangen van de brandersproeiers

U moet op de volgende manier te werk gaan. Verwijder het frontpaneel en verwijder de sproeierhouder. Vervang hierop de brandersproeiers volgens de tabel met brandertechnische gegevens. Plaats de houder van de brandermondstuk terug en stel de overdruk van de gasklep op het mondstuk af op de vereiste waarde voor het gegeven gas. Dit doet u door de schroef op de overdrukcontroleplaats op de brandermondstuk (afb. 4 pos. 1) te verwijderen en er een manometer op aan te sluiten. Zet vervolgens het apparaat maximaal aan en gebruik een 10 mm steeksleutel om de moer vast te draaien om de overdruk te verhogen en los te draaien om de overdruk te verminderen. Schakel het apparaat, nadat het op de voorgeschreven waarde is ingesteld, in de spaarmodus. Gebruik de moersleutel om de moer tegen verdraaien te houden en stel met een kruiskopschroevendraaier de overdruk op het brandermondstuk op de gegeven waarde af. Vervang vervolgens de schroef en controleer op lekkage.

Belangrijk:

Nadat het toestel is aangepast aan een andere gassoort, dient deze wijziging op het toestellabel te worden aangegeven.

GEBRUIKSAANWIJZING

Opgelet! Voordat u het apparaat gebruikt, moet u de beschermende folie van het gehele oppervlak verwijderen, het vervolgens goed met water en afwasmiddel wassen en daarna met een vochtige doek afnemen.

Voordat u de ketel met indirecte verwarming in werking stelt, controleer of de duplicator gevuld is met water. Het waterniveau moet zich ter hoogte van de testkraan bevinden (afb. 4, pos. 8). Als er geen water uit de geopende kraan stroomt, moet u de duplicator bijvullen. Voeg water toe met behulp van de drukknop voor het vullen van water in de duplicator (afb. 2) door de drukknop zo lang ingedrukt te houden totdat er water uit de open kraan stroomt. Sluit de kraan als het water niet meer stroomt.

Bediening

Stel de energieregelaar (afb. 2 pos. B) in op "MAX" en draai daarna de schakelaar (afb. 2, pos. A) 90° naar rechts of links. Op die manier wordt maximaal vermogen ingesteld. Draai de schakelaar nog eens 90° om de spaarmodus in te stellen. Het vermogen kan nog verder verlaagd worden met behulp van de energieregelaar, waarbij een lagere ingestelde waarde = het lagere vermogen. Een energieregelaar wordt gebruikt als de schakelaar op maximum vermogen ingesteld is.

Ontsteking van de branders

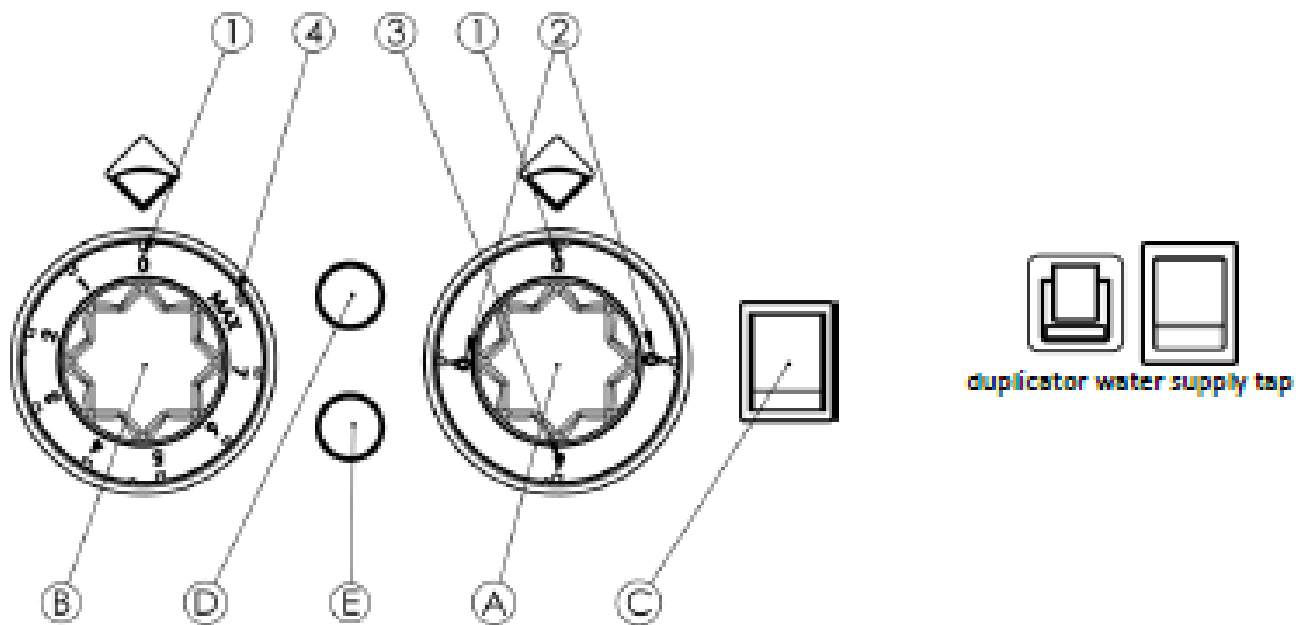
Nadat de schakelaar op maximaal vermogen of spaarmodus ingesteld is, zullen de branders automatisch ontsteken. Dit wordt door het oplichten van het groen controlelampje gesignaleerd (afb. 2, pos. D). Als de branders de eerste keer niet ontsteken, licht de noodstopknop in rode kleur op (afb. 2, pos. C). Na het indrukken ervan wordt de brander opnieuw ontstoken.

Als het oranje controlelampje brandt (afb. 2, pos. E), geeft dit aan dat de branders op vol vermogen werken.

Als het controlelampje niet brandt, betekent dit dat de branders in spaarmodus werken. Dit kan veroorzaakt zijn doordat de schakelaar in de spaarmodus positie gezet werd of de energieregelaar in een andere dan "MAX" positie ingesteld is.

Ketel uitschakelen

De ketel wordt uitgeschakeld door de schakelaar in de positie "0" te draaien.



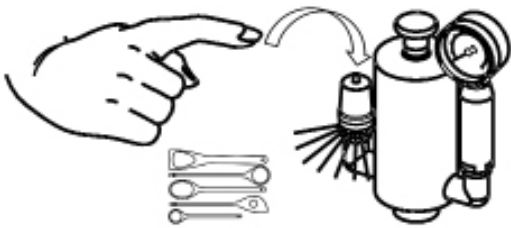
A – schakelaar	1 – positie uitgeschakeld
B – energieregulator	2 – vol vermogen
C – reset knop	3 – half vermogen
D – groen controlelampje	4 – vol vermogen
E – oranje controlelampje	

Ontluchting van de duplicator

Na het inschakelen van de ketel moet de duplicator ontlucht worden met intervallen van 10 minuten, totdat de duplicator verzadigd is met stoom.

Deze stap wordt uitgevoerd door de operator met behulp van een keukengereedschap zoals bijvoorbeeld een houten lepel waarbij hij op de pen van de ontluichtingsklep van de veiligheidsvoorziening drukt en deze gedurende 3 seconden ingedrukt houdt. Daardoor ontsnapt perslucht uit de duplicator en kan de ketel op volle capaciteit werken. Zodra er stoom uit de ontluichtingsklep na het indrukken van de pen ontsnapt, is het niet meer nodig deze handeling uit te voeren.

OPGELET! Er is een risico op brandwonden als u de ontluichtingspen indrukt (bijv. met uw vinger) zonder het gebruik van keukengereedschap.



BEDIENING VAN DE AUTOCLAVE

Het autoclavensysteem werkt volgens hetzelfde principe als een snelkookpan. Voor een veilige werking moet u ervoor zorgen dat alle 4 kleppen vastgedraaid zijn tot de maximaal toegestane limiet.

REINIGING EN ONDERHOUD

Het apparaat moet ten minste 2x per jaar door een gespecialiseerde service gecontroleerd worden. Alle ingrepen aan het apparaat mogen slechts door een gekwalificeerd persoon worden uitgevoerd, die daartoe bevoegd is.

OPGELET! Het apparaat mag niet schoongemaakt worden met een directe waterstraal of met een hogedrukreiniger. Maak het apparaat elke dag schoon. Dankzij het dagelijks onderhoud bent u verzekerd van een lange levensduur en de efficiëntie van het apparaat. Controleer voordat u begint met schoonmaken of het apparaat is losgekoppeld van het elektriciteitsnet. Onderbreek altijd de stroomvoorziening van het apparaat. Maak de elementen van roestvrijstaal schoon met een vochtige doek en een klein beetje schoonmaakmiddel zonder schurende deeltjes en droog met een doek. Gebruik geen schurende of corrosieve schoonmaakmiddelen.

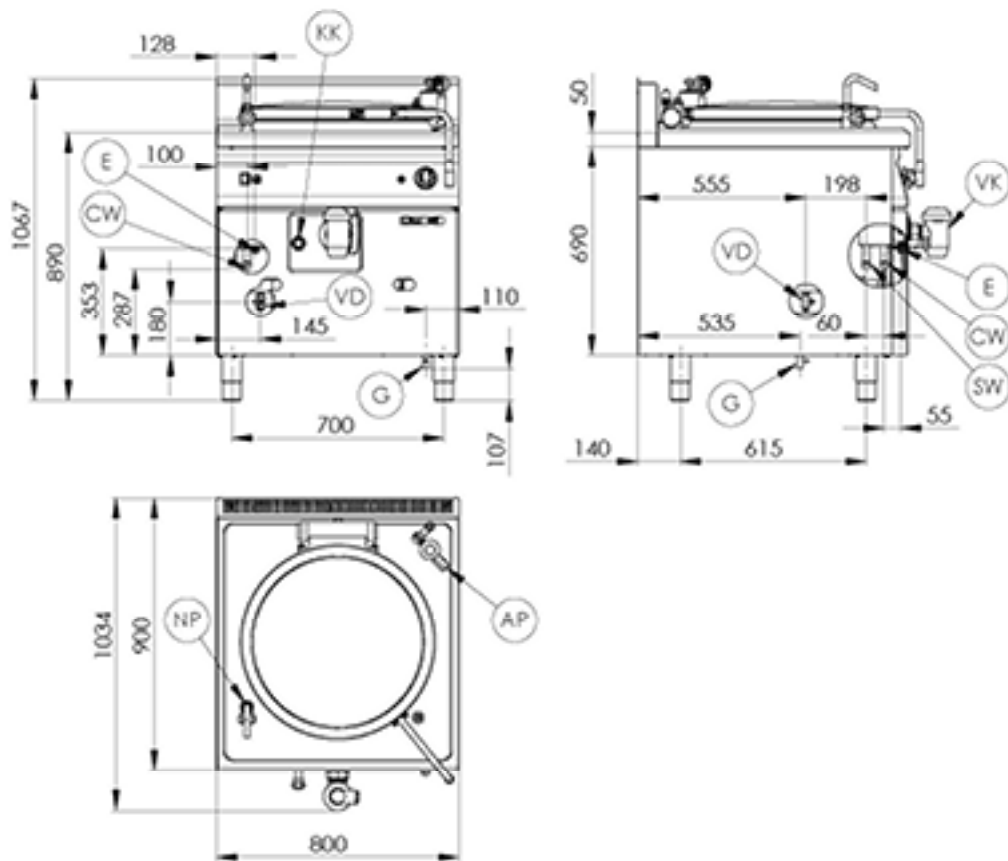
Opgelet! Voordat u het apparaat gebruikt, moet u de beschermende folie van het gehele oppervlak verwijderen, het vervolgens goed met water en schoonmaakmiddel wassen en daarna met een vochtige doek afnemen.

Maatregelen bij storingen Onderbreek de stroom-/gasvoorziening en neem contact op met de serviceafdeling van de verkoper.

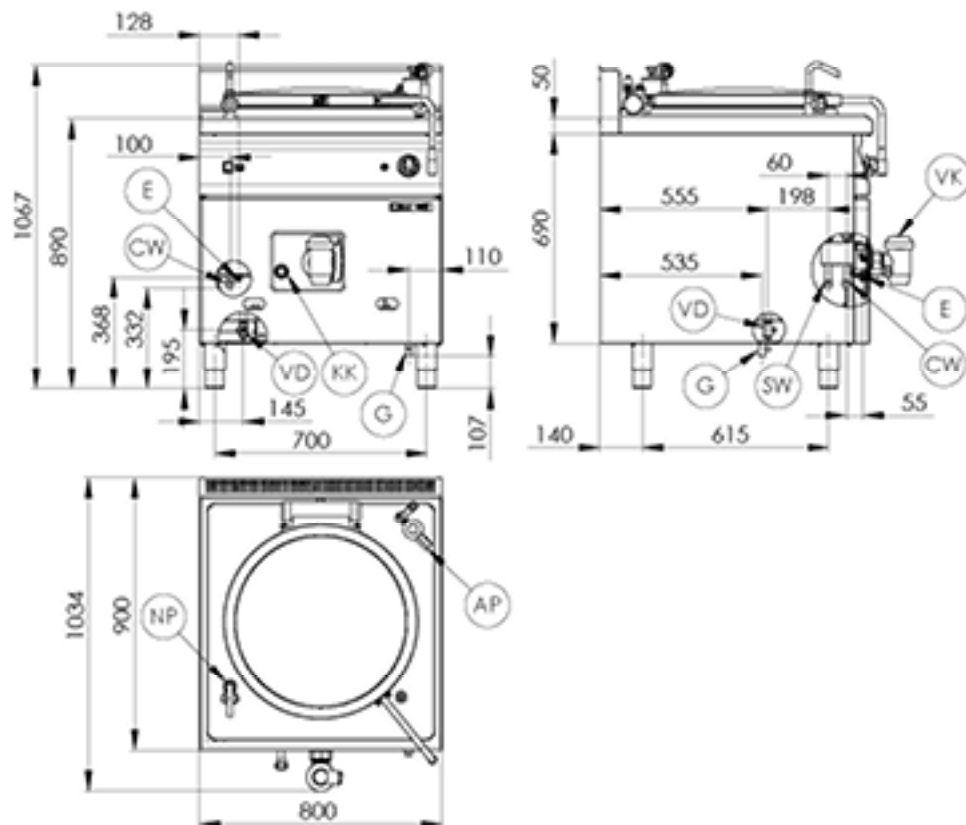
De garantie dekt niet alle verbruiksartikelen die onderhevig zijn aan normale slijtage (rubber dichtingen, lampjes, glazen en plastic onderdelen enz.). De garantie strekt zich ook niet uit over apparaten die niet zijn geïnstalleerd door bevoegde personen in overeenstemming met de instructies in de gebruiksaanwijzing en de van toepassing zijnde normen en indien het apparaat onjuist is behandeld (ingrepen in binnenapparatuur enz.) of indien het apparaat bediend is door ongetraind personeel en in de strijd met de gebruiksaanwijzing. Verder dekt de garantie geen schade veroorzaakt door natuurlijke verschijnselen of andere externe invloeden.

De transportverpakkingen en apparaten moeten aan het einde van hun levensduur aan een inzamelplaats overhandigd worden, in overeenstemming met de voorschriften voor afval en gevaarlijk afval beheer.

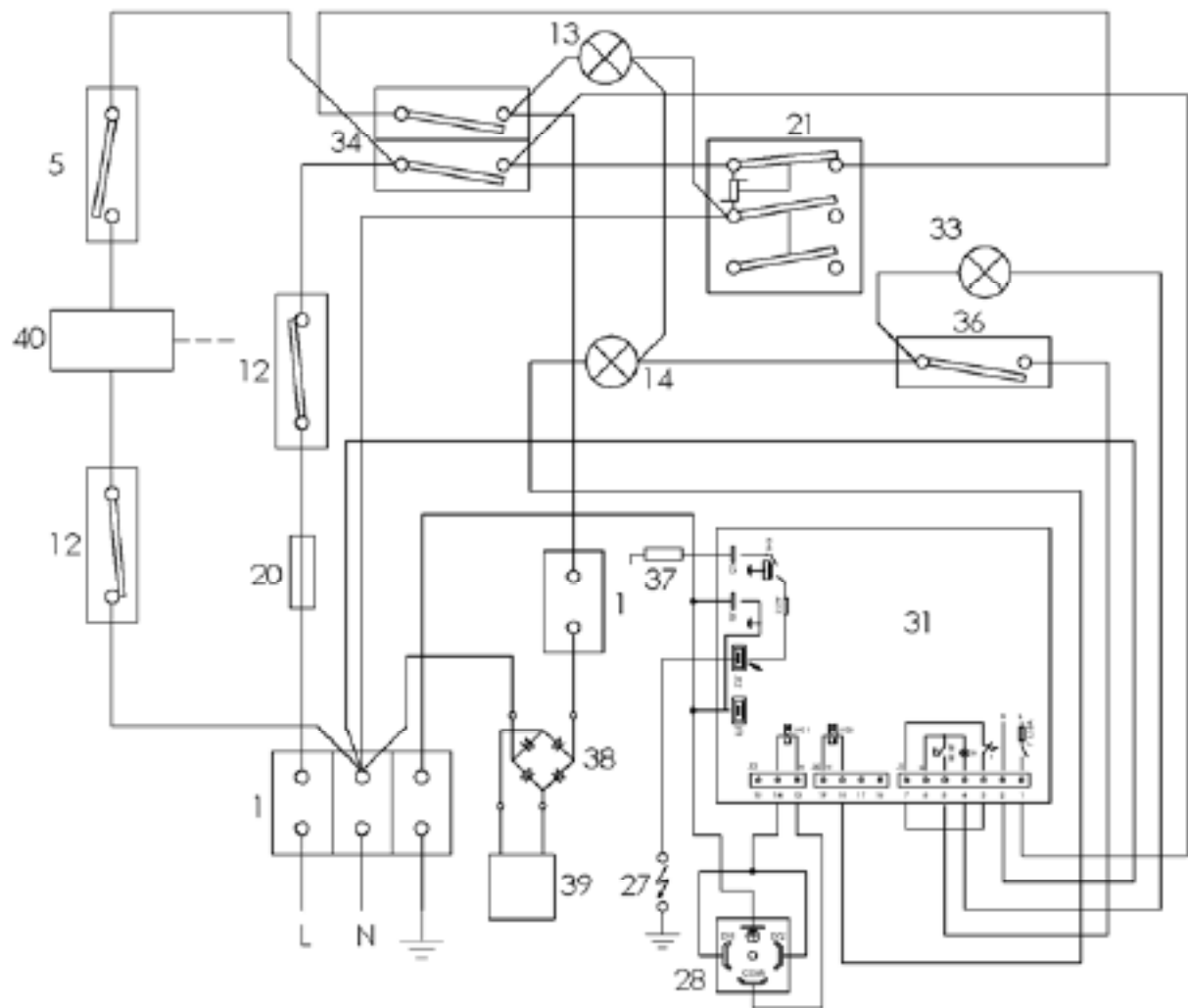
BI - 90/100 G

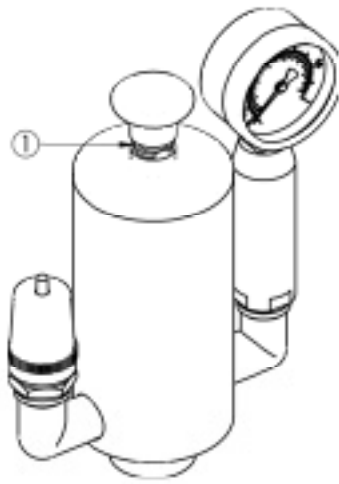


BI - 90/150 G



EL. CONNECTION DIAGRAM / SCHALTPLAN / SCHÉMA DU ELECTRIQUE





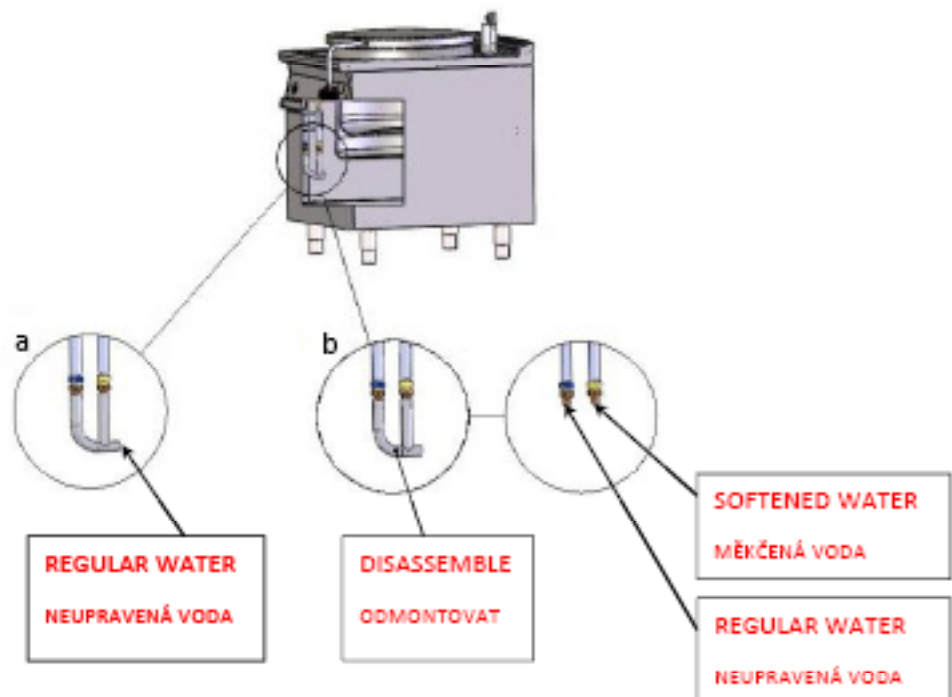
Add 1



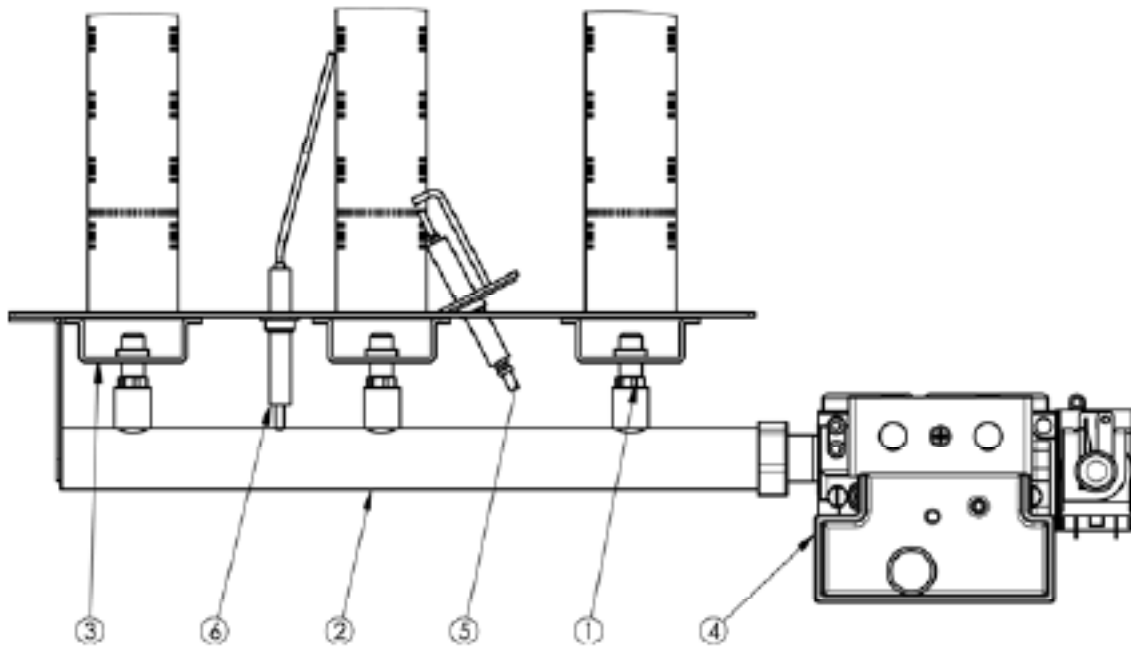
Add 2

a) For regular water only / Pouze pro neupravenou vodu

b) For softened and regular water / Pro měkčenou a neupravenou vodu

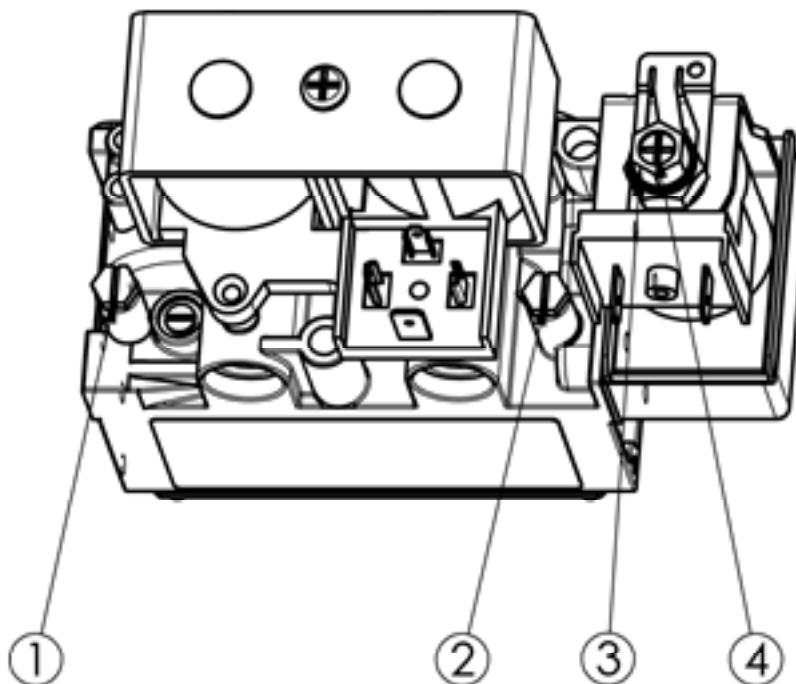


GAS VALVE, NOZZLES AND BURNERS



- 1 – nozzle
- 4 – gas valve
- 2 – nozzle holder
- 5 – ignition plug
- 3 – burner
- 6 – ionisation electrode

GAS VALVE



- 1 – exit gas pressure inspection site
- 3 – full output pressure adjustment nut
- 2 – supply gas pressure inspection site
- 4 – economy pressure adjustment nut

PROHLÁŠENÍ O SOULADU S NORMAMI

Výrobce prohlašuje, že přístroje jsou v souladu s nařízením 2016/426/EU, zákonem č. 22/1997 Sb. a č. 258/2000 Sb. o ochraně veřejného zdraví, vyhláškou č. 38/2001 Sb. a příslušnými nařízeními vlády. Instalace musí být uskutečněna s ohledem na platné normy.

Výrobce prohlašuje, že přístroje splňují základní požadavky směrnice 2014/35/EU (nařízení vlády č. 118/2016 Sb.) a požadavky směrnice 2014/30/EU (nařízení vlády č. 117/2016 Sb.).

Pozor, výrobce se vzdává jakékoli odpovědnosti v případě přímých i nepřímých poškození, které se vztahují ke špatné instalaci, nesprávným zásahem nebo úpravami, nedostatečnou údržbou, nesprávným používáním, a které jsou eventuálně způsobeny jinými příčinami, jež uvádí body uvedené v podmínkách prodeje. Tento spotřebič je určen pouze pro odborné používání a musí být obsluhován kvalifikovanými osobami. Části, které byly po nastavení zajištěny výrobcem nebo pověřeným pracovníkem, nesmí uživatel přestavovat.

TECHNICKÁ DATA

Štítek s technickými údaji je umístěn na zadní části přístroje. Před instalací si prostudujte elektrické schéma zapojení a všechny následující informace.

Typ výrobku	Duplikátor	Objem kotle (l)	Výkon (kW)	Přívodní napětí (V/Hz)	Rozměr (cm)	Hmotnost (kg)
BI(A)-90/100 G	ano	100	22,5	230/50	80x90x90 v	120
BI(A)-90/150 G	ano	150	22,5	230/50	80x90x90 v	130

Typ výrobku	Průměr připojení plynu	Průměr připojení vody	Přetlak duplikátoru (bar)	System ohřevu
BI(A) 90/100 G	G1/2	G1/2	0,5	nepřímý
BI(A) 90/150 G	G1/2	G1/2	0,5	nepřímý

Části, které byly nastaveny výrobcem, nebo servisním technikem při instalaci, nesmí být obsluhou přenastavovány.

TECHNICKÁ DATA HOŘÁKŮ

	G30/31 PROPAN/BUTAN 30mbar	G31 PROPAN 37mbar	G30/31 PROPAN/BUTAN 50 mbar	G20 ZEMNÍ PLYN 20mbar
Tryska hořáku pr. 1/100mm	135	135	135	250
Přetlak na trysce - plný výkon (mbar)	23	23	23	9
Přetlak na trysce - sporo (mbar)	10	10	10	3
Spotřeba plynu	1,7 kg/h	1,7 kg/h	1,7 kg/h	2,4 m ³ /h

Části, které byly nastaveny výrobcem, nebo servisním technikem při instalaci, nesmí být obsluhou přenastavovány.

Maximální a snížený jmenovitý tepelný příkon v kW je vztažený k Hi použitého plynu.

V případě připojení výrobku na LPG, musí být plynová láhev v dostatečně větraných místnostech.

Tabulka plynů, pro které je výrobek určen

Provedení	Kategorie výrobků	Připojovací přetlaky [mbar]	Použitý plyn	Země určení
A1	I2E	20	G20	DE, NL, PL, RO
	I2ELL	20, 20	G20, G25	DE
	I2E+	20/25	G20/G25	BE, FR
	I2H	25	G20	HU
	I2H	20	G20	AT, BG, CH, CZ, DK, HR, EE, ES, FI, GB, GR, IE, IT, LT, LV, NO, PT, RO, SE, SI, SK, TR, LU, CY, FR
	I2L	25	G25	FR
	I2L	20	G25	RO
	I2Lw	20	G27	PL
	I3B/P	30	G30	BG, CY, CZ, DK, GB, HR, EE, FI, FR, GR, HU, IT, LT, LV, MT, NL, NO, RO, SE, SI, SK, TR
	I3B/P	37	G30	PL
	I3B/P	50	G30	AT, DE, CZ, CH, FR, SK
	I3P	37	G31	BE, CH, CZ, ES, GB, GR, IE, RO, SI, SK, FR, NL, PT, HR, IT, LT, PL, TR
	I3+	28-30/37	G30	BE, CH, CY, CZ, EE, ES, FR, GB, GR, IE, IT, LT, PT, SI, SK, TR
	II2E3B/P	20, 50	G20, G30	DE, PL, RO
	II2ELL-3B/P	20, 20, 50	G20, G25, G30	DE
	II2E+3+	20/25, 28-30/37	G20/G25, G30	BE, FR
	II2E+3P	20/25, 37	G20/G25, G31	BE, FR
	II2H3B/P	20, 30	G20, G30	BG, CZ, GB, DK, HR, EE, FI, GR, IT, LT, LV, NO, RO, SE, SI, SK, TR, CY, FR
	II2H3B/P	20, 50	G20, G30	AT, CH, CZ, FR, SK
	II2H3P	20, 37	G20, G31	CH, CZ, ES, GB, GR, IE, RO, SI, SK
	II2H3+	20, 28-30/37	G20, G30	CH, CY, CZ, EE, ES, GB, GR, IE, IT, LT, PT, SK, SI, TR
	II2L3B/P	25, 30	G25, G30	NL
	II2L3B/P	25, 50	G25, G30	NL
	II2L3B/P	20, 30	G25, G30	RO
II2H-S3B/P	25, 25, 30	G20, G25.1, G30	HU	

ZÁKLADNÍ INFORMACE K PLYNOVÝM KOTLŮM

Plynové kotle jsou konstruovány s ohledem na maximální výkony, odolnost a trvanlivost pro nejtěžší provozy a jednoduchost, spolu se snadnou údržbou. Pro výrobu jsou používány díly vysoké kvality.

- Optimalizovaný plamen a spotřeba plynu
- Připojení studené vody
- Masivní konstrukce
- Ergonomické tvarování ovládacích prvků
- Optimalizované tvarování povrchu pro snadné čištění
- Jednoduchá obsluha
- Plášť z nerezové ocele AISI 430, plášť vany 304 a dno vany kotle AISI 316
- Výpustný kohout chromovaný

KONTROLA OBALU A ZAŘÍZENÍ

Zařízení opouští naše sklady v řádném obalu, na kterém jsou odpovídající symboly a označení. V obalu se nachází odpovídající návod k obsluze. Jestliže by obal měl vykazovat špatné zacházení, známky poškození, musí se okamžitě reklamovat u přepravce a to sepsáním a podepsáním protokolu o škodě. Na pozdější reklamace nebude brán zřetel.

Důležité upozornění

Tento návod musí být řádně a pozorně přečten, protože obsahuje důležité informace o bezpečnostních prvcích, instalaci a použití.

- Výrobek je určen pouze k používání ve vnitřních prostorách.
- Nikdy spotřebič nepoužívejte, pokud má poškozený napájecí přívod nebo vidlici, pokud nepracuje správně, upadl na zem a poškodil se nebo spadl do vody. V takových případech zanechte spotřebič do odborného servisu k prověření jeho bezpečnosti a správné funkce
- Tato doporučení se vztahují na tento výrobek, nebo produktovou linii.
- Tento návod se musí řádně uschovat pro budoucí použití.
- Zabraňte dětem manipulovat s přístrojem.
- Při prodeji nebo přemístění je nutno se přesvědčit, že obsluha nebo odborný servis se seznámil s ovládáním a instalačními pokyny v příloženém návodu.
- Výrobek smí obsluhovat pouze obsluha, která se seznámila s tímto návodem k použití.
- Nesmí být spuštěn bez dozoru.
- Doporučuje se kontrola odborným servisem minimálně 2x ročně.
- Při eventuální opravě nebo výměně dílů musí být použity originální náhradní díly.
- Výrobek se nesmí čistit proudem vody nebo tlakovou sprchou.
- Při poruše nebo špatném chodu výrobku je nutné odpojit veškeré přívody (voda, elektřina, plyn) a zavolat autorizovaný servis.
- Výrobce se vzdává jakékoli zodpovědnosti při poruchách způsobenými chybnou instalací, nedodržením shora uvedených doporučení, jiným užíváním apod.
- Přístroj se smí používat pouze k účelu, ke kterému je určený, jiné použití je zakázané a může vést ke vzniku nebezpečí či úrazu
- Musí být zajištěno nej přísnější dodržování pravidel protipožární ochrany
- Za provozu a krátce po něm jsou některé části spotřebiče horké
- Je zakázáno se během provozu dotýkat jiných částí spotřebiče, než ovládacích prvků k tomu určených

UMÍSTĚNÍ

Ke správné činnosti a umístění spotřebiče je nutné dodržet následující směrnice dle norem TPG G 704 01, ČSN 127040 a ČSN 127010.

Rozbalte přístroj a zkontrolujte, zda se přístroj nepoškodil během přepravy. Umístěte přístroj na vodorovnou plochu (maximální nerovnost do 2°). Drobné nerovnosti lze vyrovnat regulovatelnými nožičkami.

Jestliže zařízení bude umístěno tak, že bude v kontaktu se stěnami nábytku, tyto musí odolávat teplotě až 60°C. Instalaci, seřízení, uvedení do provozu musí provést kvalifikovaná osoba, která má k takovýmto úkonům oprávnění a to dle platných norem.

Přístroj může být instalován samostatně nebo v sérii s přístroji naší výroby. Je nutno dodržovat minimální vzdálenost 10 cm od hořlavých materiálů. V tomto případě je nutné zabezpečit odpovídající úpravy, aby byla zabezpečena tepelná izolace hořlavých částí.

Spotřebič se musí instalovat pouze na nehořlavém povrchu nebo u nehořlavé stěny.

INSTALACE



Důležité:

Výrobce neposkytuje žádnou záruku na závady, vzniklé v důsledku nesprávného používání, nedodržování instrukcí obsažených v přiloženém návodu k použití a špatným zacházením se spotřebiči.

Instalaci, úpravy a opravy spotřebičů pro velkokuchyně, tak jako i jejich demontáž z důvodu možného poškození přívodu plynu, mohou být prováděny pouze na základě smlouvy o údržbě, tato smlouva může být uzavřena s autorizovaným prodejcem, přičemž musí být dodržovány technické předpisy a normy a předpisy týkající se instalace, elektrického přívodu, plynové přípojky a bezpečnosti práce.

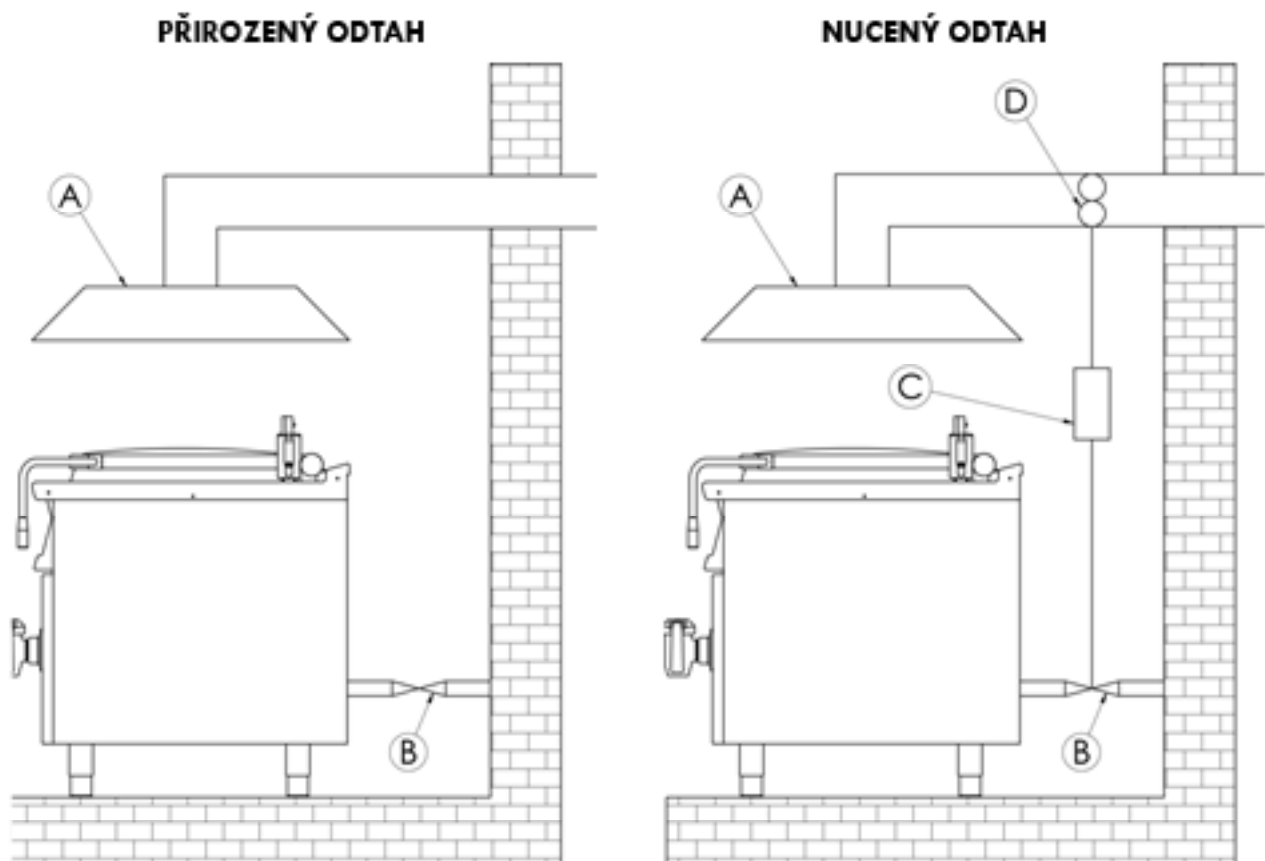
Technické instrukce pro instalaci a seřízení, k použití POUZE pro specializované techniky.

Instrukce, které následují, se obrací k technikovi kvalifikovanému pro instalaci, aby provedl všechny operace způsobem co nejkorektnějším a podle platných norem.

Jakákoli činnost spojená s regulací apod. musí být vykonána pouze se zařízením odpojeným ze sítě. Je - li nutno udržovat spotřebič pod napětím je nutno dbát nejvyšší opatrnosti.

Typ spotřebiče pro provedení odtahu je deklarován na typovém štítku, jedná se o spotřebiče typu A1.

NÁVOD NA PROVEDENÍ ODTAHU PLYNU



Vyústění digestoře je do samostatného komínového tělesa (A). Odtah spalin zabezpečuje přirozený tah komínu.

Vyústění digestoře je bez přirozeného odtahu. Odtah spalin je zabezpečován pomocí ventilátoru (D), (nucený odtah). V tomto případě je nezbytné zabezpečit propojení s přívodem plynu (B) pro vypnutí přívodu plynu při výpadku.

KONTROLA TEPELNÉHO VÝKONU

Spotřebiče musí být zkontrolovány, aby se ověřil jejich tepelný příkon:

Tepelný výkon je označen na štítku nebo jej naleznete v tomto návodu.

Je nutné nejdříve ověřit, je-li spotřebič vyroben pro ten samý typ plynu, který bude používán a tudíž odpovídá-li označení na štítku typu plynu, který bude používán.

K přestavbě na jiný druh plynu je nutné zkontrolovat, odpovídá-li typ označeného plynu tomu, který je doporučen v této příručce.

Tlak se měří tlakoměrem o potřebné citlivosti. Tlakoměr se připojí na příslušné místo, je nutné proto odšroubovat šroub se vzduchotěsným uzávěrem a připojit tlakoměr. Po ukončení měření je nutné našroubovat šroub zpět a překontrolovat jeho těsnost.

BEZPEČNOSTNÍ OPATŘENÍ Z HLEDISKA POŽÁRNÍ OCHRANY PODLE ČSN 061008 ČL. 21

- obsluhu spotřebiče smí provádět pouze dospělé osoby
- spotřebič smí být bezpečně používán v souladu s normami:
ČSN 33 2000-4-482: Ochrana proti požáru v prostorách se zvláštním rizikem nebo nebezpečím
ČSN 33 2000-4-42: Ochrana před účinky tepla

- spotřebič je nutné umístit tak, aby stál nebo visel pevně na nehořlavém podkladu

Na spotřebič a do vzdálenosti menší než bezpečná vzdálenost od něho nesmějí být kladeny předměty z hořlavých hmot (nejmenší vzdálenost spotřebiče od hořlavých hmot je 10 cm).

Tabulka: stupeň hořlavosti stavební hmoty zařazené do st. hořlavosti (ČSN 730823) hmot a výrobků

Stupeň hořlavosti	Stavební hmoty
A - nehořlavé	žula, pískovec, betony, cihly, keramické obkladačky, omítky
B - nesnadno hořlavé	akumin, heraklit, lihnos, itaver
C1 - těžce hořlavé	dřevo, listnaté, překližky sirkoklit, tvrzený papír, umakart
C2 - středně hořlavé	dřevotřískové desky, solodur, korkové desky, pryž, podlahoviny
C3 - lehce hořlavé	dřevovláknité desky, polystyrén, polyureten, PVC

• informace o stupni hořlavosti běžných stavebních hmot uvádí tabulka výše. Spotřebiče musí být instalovány bezpečným způsobem. Při instalaci musí být dále respektovány příslušné projektové, bezpečnostní a hygienické předpisy dle:

- ČSN 06 1008 požární bezpečnost lokálních spotřebičů a zdrojů tepla
- ČSN 33 2000-4-482 ochrana proti požáru v prostorách se zvláštním rizikem nebo nebezpečím
- ČSN 33 2000-4-42 ochrana před účinky tepla

PŘIPOJENÍ PLYNOVÉ PŘIPOJOVACÍ HADICE

Připojení spotřebiče do rozvodu plynu je nutné provést přípojnou ocelovou nebo měděnou hadicí vyhovující platným národním požadavkům. Ta musí být pravidelně kontrolována a podle potřeby vyměněna. Každý spotřebič musí být vybaven uzavíracím kohoutem a rychlouzávěrem. Rychlouzávěr musí být volně přístupný a v dosahu zařízení. Po ukončení instalace je třeba překontrolovat, zda nedochází k úniku plynu. Pro zjištění úniku používáme mýdlovou vodu nebo detekční spreje pro zjištění případných úniků.

Nepoužívat látky způsobující korozi! Všechny naše spotřebiče jsou pečlivě kontrolovány. Typ plynu, tlak a označení příslušné kategorie jsou uvedeny na výrobním štítku.

Připojení na kapalný plyn:

Tlak pro připojení na kapalný plyn musí být 28 nebo 30 mbar pro propan/butan a 37 mbar pro propan. Je nutné zkontrolovat štítek, změřit tlak a zkontrolovat parametry nainstalované trysky s požadovanými parametry trysky dle požadavků výrobce. Pokud je tlak nižší než 25 mbar nebo vyšší než 37 mbar **NESMÍ BÝT SPOTŘEBIČ PŘIPOJEN**

Připojení na zemní plyn:

Tlak při připojení na metan musí být 18 nebo 20 mbar. Je nutné zkontrolovat štítek, změřit tlak a zkontrolovat parametry nainstalované trysky s požadovanými parametry trysky dle požadavků výrobce. Pokud je tlak nižší než 15 mbar nebo vyšší než 22,5 mbar **NESMÍ BÝT SPOTŘEBIČ PŘIPOJEN**

PŘIPOJENÍ ELEKTRICKÉHO KABELU DO SÍTĚ

Instalace elektrického přívodu - tento přívod musí být samostatně jištěn. A to odpovídajícím jističem jmenovitého proudu v závislosti na příkonu instalovaného přístroje. Příkon přístroje zkontrolujte na výrobním štítku na zadním panelu (či boku) přístroje.

Připojený zemnicí vodič musí být delší než ostatní vodiče. Přístroj připojte přímo na síť, je nezbytné vložit mezi spotřebič a síť vypínač s minimální vzdáleností 3 mm mezi jednotlivými kontakty, který odpovídá platným normám a zatížením. Přívod uzemnění (žlutozelený) nesmí tímto spínačem být přerušen. Přístroj určený pro připojení do zásuvky, připojte do sítě pokud má zásuvka odpovídající jištění.

V každém případě přívodní kabel musí být umístěn tak, že v žádném bodě nedosáhne teploty o 50 stupňů vyšší než prostředí. Než bude spotřebič připojen do sítě, je nutné se nejprve ujistit, že:

- přívodní jistič a vnitřní rozvod snesou proudové zatížení spotřebiče (viz štítek matrice)
- rozvod je vybaven účinným uzemněním podle norem (ČSN) a podmínek daných zákonem
- zásuvka nebo vypínač v přívodu jsou dobře přístupné od spotřebiče
- elektrický přívod do zařízení musí být z olejovzdorného materiálu

Vzdáváme se jakékoli zodpovědnosti v případě, že tyto normy nebudou respektovány a v případě porušení výše uvedených zásad.

Před prvním použitím musíte přístroj vyčistit viz. kapitola „čištění a údržba“. Spotřebič musí být uzemněn pomocí šroubu se značkou uzemnění.

PŘIPOJENÍ VODY

Připojení vody se provádí pomocí přívodních hadic se závitem G1/2. Připojení se provede po sejmutí předního panelu. Přívod vody musí být osazen samostatnými uzávěry, které jsou volně přístupné a v dosahu zařízení. Součástí zařízení jsou zpětné ventily. Voda pro plnění prostoru duplikátoru musí být změkčená – max. 5° francouzské škály tvrdosti vody.

Tlak přiváděné vody musí být v rozsahu 50 - 300 kPa.

Pro napuštění varného prostoru vodou použijte napouštěcí baterii na horní desce kotle. Otevřete víko, pootočte ramínko nad prostor kotle a pusťte vodu. Po naplnění kotle vodu uzavřete a ramínko otočte do parkovací polohy a uzavřete víko kotle.

Nikdy nepoužívejte zařízení, pokud je duplikátor bez vody! Hrozí poškození zařízení! Vodu v duplikátoru pravidelně kontrolujte a doplňujte.

Pokud dojde k vyvaření vody z duplikátoru během provozu, ihned vypněte kotel. Doplnění vody je možné až po vychladnutí kotle. V případě nedodržení této podmínky hrozí poškození duplikátoru!

Maximální výška hladiny je 40 mm pod horní okraj vany. Pamatujte, že při vložení upravovaných potravin do vody dojde ke vzduťi hladiny!

KONTROLA NASTAVENÍ PŘÍSTROJE NA DRUH PLYNU

Naše spotřebiče jsou certifikovány a regulovány pro zemní plyn (viz. Typový štítek). Přestavba nebo přizpůsobení na jiný typ plynu musí být provedena pouze oprávněným technikem. Trysky na různé typy plynu jsou v sáčku, přibaleném ke kotli a jsou označeny v setinách mm (tabulka technických dat hořáků).

Výměna trysek:

Je třeba postupovat následujícím způsobem: Odmontujte přední panel a vymontujte držák trysek. Na něm vyměňte trysky dle tabulky technických dat hořáků. Namontujte držák trysek zpět a na plynovém ventilu seřídte přetlak na trysce na příslušné hodnoty pro daný plyn. Toto se provádí tak, že vymontujete šroub na kontrolním bodu přetlaku na trysce a připojíte na něj manometr. Poté spustíte přístroj na maximální výkon a klíčem 10mm se utahováním matice přetlak zvyšuje a povolováním snižuje. Po jeho nastavení na předepsanou hodnotu přepnete do režimu sporo. Klíčem si přidržíte matici proti pootočení a křížovým šroubovákem seřídíte přetlak na trysce na danou hodnotu. Poté namontujete šroub zpět a zkontrolujete těsnost.

Důležité:

Poté, co bylo provedeno seřízení spotřebiče na jiný typ plynu, je nutné změnu plynu vyznačit na štítku spotřebiče.

Uvedení do provozu a kontrola chodu:

- po připojení přístroje na přívod musí být přístroj, celá instalace a provoz přístroje přezkoušeny
- obzvláště je třeba zkontrolovat:
 - Zkontrolovat, že všechna připojení byla provedena dle předloženého návodu k instalaci
 - Zkontrolovat, že byly dodrženy a splněny všechny platné normy a bezpečnostní předpisy a zákonné předpisy a směrnice
 - Zkontrolovat spotřebiče kvůli úniku plynu
 - Zkontrolovat těsnost přívodu vody
 - Zkontrolovat zapalování hořáků
 - Zkontrolovat stálost hoření plamene
 - V případě změny zařízení na jiný druh plynu, pozměnit identifikační plynový štítek umístěný vždy pod přívodem plynu

NÁVOD K POUŽITÍ

Před každým uvedením kotle s nepřímým ohřevem do chodu zkontrolujte naplnění duplikátoru vodou. Výška hladiny musí být ve výšce kontrolního kohoutu (obr. 4, pozn. 8). Jestliže z tohoto otevřeného kohoutu nevytéká voda, duplikátor je potřeba doplnit. Vodu doplňte pomocí tlačítka napouštění vody do duplikátoru (obr. 2), které podržte, dokud z otevřeného kohoutu nepoteče vodu. Když z něj voda přestane téct, kohout zavřete.

Ovládání

Energoregulátor (obr. 2, pozn. B) nastavte na „MAX“ a poté otočte přepínačem (obr. 2, pozn. A) doprava nebo doleva o 90°. Takto se nastaví maximální výkon. Dalším pootočením přepínače o 90° nastavíte režim sporo. Výkon je dále možno snižovat energoregulátorem, kdy nižší nastavená hodnota = nižší výkon. Energoregulátor používejte v případě, kdy je přepínač nastaven na maximální výkon.

Zapálení hořáků

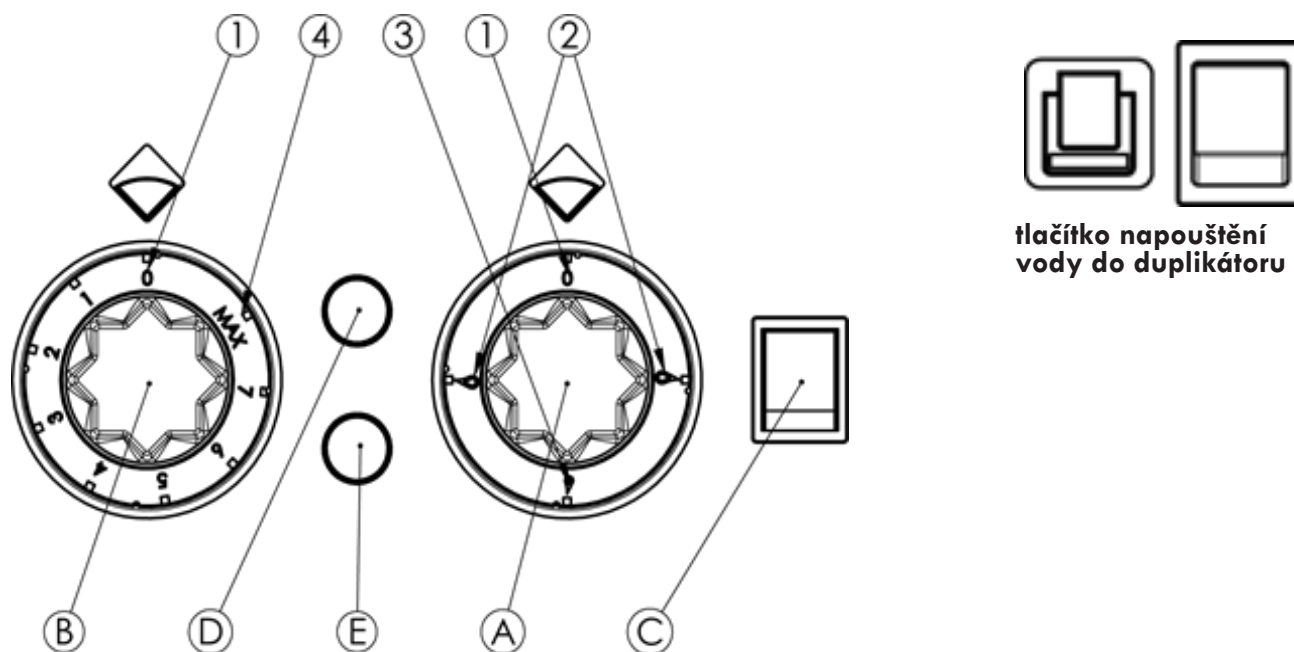
Po otočení přepínače na maximální výkon nebo režim sporo dojde k automatickému zapálení hořáků. To je signalizováno rozsvícením zelené kontrolky (obr. 2, pozn. D). Pokud se je nepodaří napoprvé zapálit, rozsvítí se červeně resetovací tlačítko (obr. 2, pozn. C). Po jeho stisknutí dojde k opětovnému zapálení.

Pokud svítí oranžová kontrolka (obr. 2, pozn. E), signalizuje to, že hořáky běží na plný výkon. V případě, že nesvítí, znamená to, že hoří v režimu sporo. To může být způsobeno přepnutím přepínače do polohy sporo, nastavením energoregulátoru na jinou polohu než „MAX“.

Vypnutí kotle

Vypnutí kotle se provede otočením přepínače do polohy „0“.

Ovládací prvky (obr. 2)



A – přepínač
B – energoregulátor
C – resetovací tlačítko
D – zelená kontrolka
E – oranžová kontrolka

1 – poloha vypnuto
2 – plný výkon
3 – režim sporo
4 – plný výkon

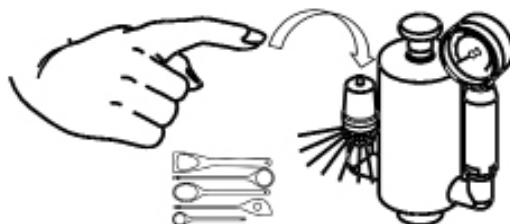
Odvzdušňování duplikátoru

Po zapnutí kotle je nutné provádět odvzdušňování duplikátoru v intervalu 10min. do doby, než se duplikátor zasytí párou.

Tento úkon provádí obsluha pomocí kuchyňského nástroje např. vařečky, kdy zamáčkne kolíček na odvzdušňovacím ventilu pojistné armatury a drží jej stlačený po dobu 3 sec. Tím unikne stlačený vzduch z duplikátoru a kotel může pracovat na plný výkon. Jakmile z odvzdušňovacího ventilu po stlačení kolíčku uniká pára, není již potřeba dále tento úkon provádět.

! POZOR !

Při zmáčknutí odvzdušňovacího kolíčku (např. prstem), bez použití kuchyňského nástroje, hrozí riziko opaření.



OVLÁDÁNÍ AUTOKLÁVY:

Autokláv systém je založen na stejné bázi funkce jako Papinův hrnec. Pro jeho bezpečný chod je potřeba se ujistit, že všechny 4 záklopy jsou dotaženy na maximální povolenou hranici.

POZOR!!!!

Před otevřením víka zajištěného autokláv systémem je vždy nutné vypustit tlak v podobě páry přes pojistný ventil umístěný ve středu víka. Nedodržením tohoto postupu může dojít k úrazu a výrobce nepřebírá žádné škody vzniklé na majetku či zdraví.

ČIŠTĚNÍ A ÚDRŽBA

Doporučuje se nechat přístroj alespoň jednou ročně překontrolovat odborným servisem. Veškeré zásahy do přístroje může provádět pouze kvalifikovaná osoba, která má k takovým to úkonům oprávnění.

POZOR!

Zařízení se nesmí čistit přímou nebo tlakovou vodou. Čistěte zařízení denně. Denní údržba prodlužuje životnost a účinnost zařízení. Před započatím čištění se přesvědčte, jestli jste odpojili zařízení od elektrického proudu. Vždy vypněte hlavní přívod k zařízení. Nerezové části omyjte vlhkým hadrem se saponátem bez hrubých částic a vytřete do sucha. Nepoužívejte abrasivní nebo korosivní čisticí prostředky.

Každý den po používání je třeba promazat třecí plochy výpustného kohoutu potravinářskou vazelínou. U kuželového kohoutu vazelína zajišťuje i jeho těsnost.

Nikdy nevypouštějte obsah kotle bez sítka odtoku. Hrozí ucpání a znehodnocení ventilu.

Pozor! Než-li začnete přístroj používat, je nutné z celého povrchu sejmout ochranné fólie, a pak jej dobře omýt vodou se saponátem na nádobí, a poté otřít vlhkým hadrem.

Jak postupovat v případě poruchy?

Vypněte elektrický (plynový) přívod a zavolejte servisní organizaci prodejce.

UPOZORNĚNÍ

Záruka se nevztahuje na všechny spotřební díly podléhající běžnému opotřebení (gumová těsnění, žárovky, skleněné a plastové díly atd.). Záruka se též nevztahuje na zařízení pokud není provedena instalace v souladu s návodem – oprávněným pracovníkem dle odpovídajících norem a pokud bylo se zařízením neodborně manipulováno (zásahy do vnitřního zařízení atd.) nebo bylo obsluhováno nezaškoleným personálem a v rozporu s návodem k použití, dále se záruka nevztahuje na poškození přírodními vlivy či jiným vnějším zásahem. **Nutná kontrola servisní organizací 2 x ročně.**


Přepravní obaly a zařízení po ukončení životnosti odevzdejte do sběru, dle předpisů o nakládání s odpadem a nebezpečným odpadem.

Potwierdzenie zgodności z normami

Potwierdzenie zgodności z normami

Wszystkie urządzenia posiadają znak CE.

Urządzenie nie emituje hałasu powyżej 70 dB.

 Producent oświadcza, że urządzenie spełnia wymagania dyrektywy CEE 90/396, rozporządzenia (WE) Nr 1935 /2004 Parlamentu Europejskiego i Rady z dnia 27 października 2004r. w sprawie materiałów i wyrobów przeznaczonych do kontaktu z żywnością oraz uchylające dyrektywy 80/590/ EWG i 89/109/EWG, rozporządzenia (WE) NR 852/2004 Parlamentu Europejskiego i Rady z dnia 29 kwietnia 2004 r. w sprawie higieny środków spożywczych oraz wymagania dyrektywy RoHS 2002/95/EC.

Wymaga się aby instalacja urządzenia wykonana była zgodnie z obowiązującymi normami, dotyczy to również zastosowania odpowiedniego systemu wentylacji i odprowadzania spalin. Wymaga się aby instalacja urządzenia wykonana była zgodnie z obowiązującymi normami.

DANE TECHNICZNE

Tabliczka z danymi technicznymi znajduje się na boku urządzenia. Przed montażem należy zapoznać się ze schematem połączeń elektrycznych i poniższymi informacjami.

Typ	Napięcie (l)	Moc (kW)	Napięcie (V/Hz)	Wymiary (cm)	Masa (kg)
BI(A)-90/100 G	100	22,5	230/50	80x90x90 v	120
BI(A)-90/150 G	150	22,5	230/50	80x90x90 v	130

Typ	Średnica przyłącza gazu	Średnica przyłącza wody	Ciśnienie płaszcz wodnego(bar)	System nagrzewania
BI(A)-90/100	G1/2	G1/2	0,5	pośredni
BI(A)-90/150	G1/2	G1/2	0,5	pośredni

DANE TECHNICZNE PALNIKÓW

	G30/31 PROPAN/BUTAN 30mbar	G31 PROPAN 37mbar	G30/31 PROPAN/BUTAN 50 mbar	G20 ZEMNÍ PLYN 20mbar
Dysza palnika śr. 1/100 mm	135	135	135	250
Ciśnienie na dyszy - pełna moc (mbar)	23	23	23	9
Ciśnienie na dyszy -oszczędna moc (mbar)	10	10	10	3
Zużycie gazu	1,7 kg/h	1,7 kg/h	1,7 kg/h	2,4 m3/h

Części, które zostały ustawione przez producenta lub technika serwisowego podczas instalacji, nie mogą być ponownie ustawiane przez operatora.

Maksymalny i zredukowany nominalny pobór ciepła w kW jest związany z Hi używanego gazu.

Jeśli produkt jest podłączony do zasilania gazem LPG, butla z gazem musi znajdować się w odpowiednio wentylowanym pomieszczeniu.

Tabela gazów, dla których przeznaczony jest wyrób

Provedení	Kategorie výrobků	Připojovací přetlaky [mbar]	Použitý plyn	Země určení
A1	I2E	20	G20	DE, NL, PL, RO
	I2ELL	20, 20	G20, G25	DE
	I2E+	20/25	G20/G25	BE, FR
	I2H	25	G20	HU
	I2H	20	G20	AT, BG, CH, CZ, DK, HR, EE, ES, FI, GB, GR, IE, IT, LT, LV, NO, PT, RO, SE, SI, SK, TR, LU, CY, FR
	I2L	25	G25	FR
	I2L	20	G25	RO
	I2Lw	20	G27	PL
	I3B/P	30	G30	BG, CY, CZ, DK, GB, HR, EE, FI, FR, GR, HU, IT, LT, LV, MT, NL, NO, RO, SE, SI, SK, TR
	I3B/P	37	G30	PL
	I3B/P	50	G30	AT, DE, CZ, CH, FR, SK
	I3P	37	G31	BE, CH, CZ, ES, GB, GR, IE, RO, SI, SK, FR, NL, PT, HR, IT, LT, PL, TR
	I3+	28-30/37	G30	BE, CH, CY, CZ, EE, ES, FR, GB, GR, IE, IT, LT, PT, SI, SK, TR
	II2E3B/P	20, 50	G20, G30	DE, PL, RO
	II2ELL-3B/P	20, 20, 50	G20, G25, G30	DE
	II2E+3+	20/25, 28-30/37	G20/G25, G30	BE, FR
	II2E+3P	20/25, 37	G20/G25, G31	BE, FR
	II2H3B/P	20, 30	G20, G30	BG, CZ, GB, DK, HR, EE, FI, GR, IT, LT, LV, NO, RO, SE, SI, SK, TR, CY, FR
	II2H3B/P	20, 50	G20, G30	AT, CH, CZ, FR, SK
	II2H3P	20, 37	G20, G31	CH, CZ, ES, GB, GR, IE, RO, SI, SK
	II2H3+	20, 28-30/37	G20, G30	CH, CY, CZ, EE, ES, GB, GR, IE, IT, LT, PT, SK, SI, TR
	II2L3B/P	25, 30	G25, G30	NL
	II2L3B/P	25, 50	G25, G30	NL
	II2L3B/P	20, 30	G25, G30	RO
	II2H-S3B/P	25, 25, 30	G20, G25.1, G30	HU

Informacje ogólne

- grzanie pośrednie
- specjalnie tłoczona górna płyta ze stali nierdzewnej o grubości 1,5 mm
- kwasoodporne dno ze specjalnej stali AISI 316
- zabezpieczenie ciśnieniowe
- bateria - napełnianie zimną wodą
- uzupełnianie wody w płaszczu wodnym półautomatycznie lub przez armaturę
- możliwość wyboru pełnej lub połowicznej mocy grzałek
- precyzyjna 7 stopniowa regulacja mocy grzania
- zawór spustowy standardowo okrągły 2" (możliwość bezpłatnej wymiany na inny przekrój)
- solidna konstrukcja
- specjalny kształt rękojeści chroni użytkownika przed poparzeniem
- regulowane nogi ze stali nierdzewnej

Prawa autorskie

Cała zawartość tego dokumentu (tekst, rysunki, schematy, zdjęcia i inne) chronione są prawami autorskimi. Zabrania się kopiowania z tego dokumentu jakichkolwiek treści czy ilustracji, przekazywania osobom niepowołanym, wprowadzania zmian w treści, za wyjątkiem otrzymania pisemnej zgody producenta - autora instrukcji. Złamanie lub naruszenie praw autorskich grozi postępowaniem karnym

Informacje bezpieczeństwa

1) Urządzenie może obsługiwać wyłącznie osoba dorosła i przeszkolona. Zabrania się obsługiwanego urządzenia osobom o niewystarczającej sprawności umysłowej, osobom pod wpływem alkoholu lub środków odurzających. Użytkownik musi sobie zdawać sprawę z oczywistych zagrożeń wynikających z eksploatacji urządzeń (takich jak niebezpieczeństwo poparzenia itp.)

2) Przy sprzedaży lub przemieszczeniu urządzenia, należy upewnić się, że serwisant zapoznał się z informacjami dotyczącymi instalacji, a nowa obsługa otrzymała i zapoznała się z instrukcją obsługi urządzenia.

3) Nie pozostawiać pracującego urządzenia bez dozoru.

4) Zaleca się przegląd urządzenia minimum 2 razy w roku przez pracowników serwisu.

5) Przy wymianach części używać oryginalnych części zamiennych. Zabrania się dokonywania napraw przez osoby nieupoważnione pod groźbą utraty gwarancji.

6) W przypadku wystąpienia awarii urządzenia należy bezzwłocznie odłączyć wszelkie zasilanie oraz skontaktować się z autoryzowanym serwisem. Zabrania się używania urządzenia niesprawnego technicznie.

7) Osoby obsługujące powinny być ubrane w czyste i higieniczne ubranie ochronne, zapewniające bezpieczną i wygodną obsługę. Urządzenie nie może być instalowane na wolnym powietrzu i narażone na działanie czynników atmosferycznych, takich jak deszcz, śnieg, promienie słoneczne, wysoka wilgotność lub zapylenia, bardzo wysokie i bardzo niskie temperatury.

8) W przypadku urządzeń elektrycznych: dopóki wtyczka kabla zasilającego znajduje się w gniazdku elektrycznym, urządzenie pozostaje pod napięciem.

Nieprzestrzeganie zaleceń zawartych w instrukcji może powodować zagrożenie życia lub zdrowia!

Kontrola opakowania i urządzenia

Urządzenie opuszcza zakłady odpowiednio zapakowane, właściwie oznakowane i etykietowane. Posiada również instrukcję obsługi. W przypadku, kiedy opakowanie nosioznaki niewłaściwego traktowania lub uszkodzenia, należy bezzwłocznie zgłosić ten fakt na piśmie u przewoźnika i podpisać protokół szkody.

Ważne

Niniejsza instrukcja powinna być przeczytana z uwagą, ponieważ zawiera ważne informacje bezpieczeństwa, montażu oraz obsługi.

-Produkt nie jest przeznaczony na zewnątrz - tylko do użytku w pomieszczeniach.

-Nigdy nie używaj urządzenia, jeśli przewód zasilający lub wtyczka zostały uszkodzone; jeśli nie działa prawidłowo, spadł na ziemię i został uszkodzony, lub wpadł do wody.

W takich przypadkach należy wezwać autoryzowany serwis lub dostarczyć urządzenie do serwisu, aby było możliwe sprawdzenie bezpieczeństwa i poprawności działania.

· należy uważnie zapoznać się z niniejszą instrukcją obsługi, ponieważ zawiera ona ważne informacje dotyczące elementów bezpieczeństwa, montażu i użytkowania

· podane zalecenia odnoszą się do opisanego produktu

· niniejszy produkt jest zgodny z obowiązującymi normami

· instrukcję należy zachować do przyszłego użytku

· produkt powinien znajdować się poza zasięgiem dzieci

· w razie sprzedaży lub przeniesienia produktu w inne miejsce, należy upewnić się, że personel obsługi oraz serwisanci zapoznali się z zaleceniami dotyczącymi obsługi i instalacji podanymi w załączonej instrukcji

· urządzenie mogą obsługiwać tylko upoważnione do tego osoby

· nie należy pozostawiać włączonego urządzenia bez nadzoru

· zalecamy, aby produkt był sprawdzany przez profesjonalny serwis przynajmniej raz w roku

· w razie napraw, należy używać wyłącznie oryginalnych części zamiennych

 · produktu nie należy czyścić strumieniami wody lub ciśnieniowo

· w razie uszkodzenia lub awarii, należy odłączyć wszystkie przewody zasilające (wodne, gazowe, elektryczne) i wezwać fachowy serwis

· producent nie bierze odpowiedzialności za szkody powstałe z powodu niewłaściwego montażu, nieprzestrzegania powyższych zaleceń, użytkowania niezgodnego z przeznaczeniem, itp.

- Produkt jest przeznaczony do użytku tylko w pomieszczeniach.

Nigdy nie używaj urządzenia, jeśli przewód zasilający lub wtyczka zostały uszkodzone, jeśli nie działa prawidłowo, spadł na ziemię i został uszkodzony lub wpadł do wody. W takich przypadkach należy zanieść urządzenie do specjalistycznej służby, aby sprawdzić jego bezpieczeństwo i prawidłowe działanie

Do regulacji i instalacji urządzenia jest konieczne, by pomieszczenie - kuchnia - było odpowiednio wietrzona (wg istniejących norm). Jeżeli urządzenie będzie umieszczone tak, że będzie stykać się ze ścianą pomieszczenia (kuchni), musi być ściana odporna na temperaturę powyżej 60°C.

Ważne jest by po odpakowaniu urządzenia, skontrolować czy urządzenie nie zostało uszkodzone w czasie transportu. Urządzenie umieścić na poziomej powierzchni (z max nierównościami do 2°). Drobne nierówności można wyrównać za pomocą nóżek.

Urządzenie może być instalowane oddzielnie lub w serii z innymi urządzeniami naszej produkcji. Jest ważne utrzymać odległość 10 cm od materiałów łatwopalnych. W takim przypadku ważne jest dodatkowe zabezpieczenie materiałami izolującymi.

- urządzenia mogą obsługiwać tylko dorosłe osoby
- urządzenie musi być bezpiecznie użytkowane w typowych otoczeniach zgodnie z EN 332000-4-482; EN 332000-4-42
- urządzenie musi być umieszczone w taki sposób, aby stało lub było zawieszona na niepalnej powierzchni. Żadne przedmioty z palnych materiałów nie mogą znajdować się bezpośrednio na urządzeniu lub w odległości mniejszej niż bezpieczna odległość (najbliższa odległość wynosi 10 cm).
- bezpieczne odległości od różnych materiałów o różnych stopniach palności i informacje o stopniach palności typowych materiałów budowlanych podano w tabeli:• spotřebič smí být bezpečně

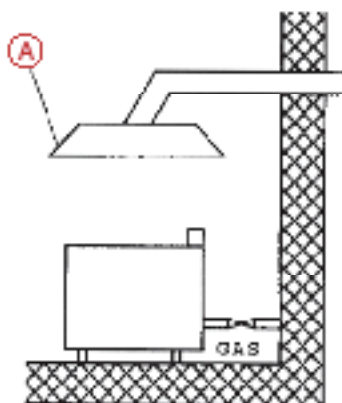
Stopień palności materiałów budowlanych sklasyfikowany według metody określania stopnia palności materiałów i produktów (EN 730823)

A niezapalne	granit, piaskowiec, betony, cegły, płytki ceramiczne, tynk
B niełatwo zapalne	akuminy, heraklity, lihnos, itavere
C1 trudno zapalne	drewno z drzew liściastych, sklejka, sirkoklit, laminat
C2 średnio zapalne	płyty pilśniowe, solodure, płyty korkowe, guma, wykładziny podłogowe
C3 łatwo zapalne	płyty z włókien drzewnych, polistyren, poliuretan, PVC

Urządzenia należy instalować w sposób bezpieczny. Podczas montażu należy przestrzegać wymogów dotyczących projektowania, bezpieczeństwa i higieny zgodnie z:

- EN 061008 ochrona pożarowa urządzeń i źródeł ciepła
- EN 332000 (33 2000-4-482; 33 2000-4-42) otoczenie urządzeń elektrycznych

WYCIĄG NATURALNY

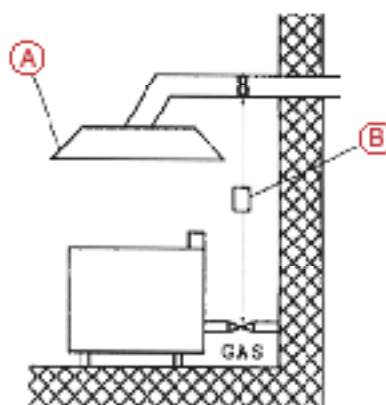


Wyciąg jest umieszczony bezpośrednio nad urządzeniem a wentylacja jest zapewniona przez naturalny ciąg komina.

A - wyciąg

B - sterownik

WYCIĄG WYMUSZONY



Instalacja wentylacyjna nie posiada naturalnego ciągu, lecz jest on wymuszony wentylatorem. W tym przypadku konieczne jest sprzężenie z zaworem dopływu gazu - w przypadku awarii wentylatora dopływ gazu do urządzenia odcięty.

Instalacja

Ważne

Producent nie odpowiada za usterki, które powstały na skutek nieodpowiedniej eksploatacji urządzenia wbrew instrukcji obsługi.

Poniższe instrukcje przeznaczone są dla wykwalifikowanego pracownika autoryzowanego serwisu, aby przeprowadził instalację w poprawny sposób, zgodnie z obowiązującymi normami.

Jakakolwiek regulacja powinna być przeprowadzona przy urządzeniu odłączonym od sieci. Jeśli jednak zaistnieje konieczność regulacji w trakcie pracy urządzenia, należy zachować szczególną ostrożność.

INSTALACJA

Instalacja, naprawy i ustawienia urządzeń do kuchni profesjonalnych i demontaż mogą być przeprowadzane tylko na podstawie umowy o utrzymaniu. Taka umowa może być podpisana ze sprzedawcą urządzenia. Muszą być zachowane wszystkie normy i przepisy dotyczące instalacji i bezpieczeństwa pracy.

Wentylacja pomieszczenia musi być odpowiednio zaprojektowana, wg. istniejących przepisów i norm. Urządzenie może być zainstalowane samodzielnie lub w serii z innymi naszymi urządzeniami. Od ewentualnej ściany z łatwopalnego materiału musi być dotrzymany odstęp ponad 10cm.

Przyłącze gazu

Gaz musi być przyłączony materiałami zgodnymi z obowiązującymi normami. Każde urządzenie musi być podłączone przez zawór gazowy, aby było możliwe odłączenie dopływu gazu w przypadku awarii. Po instalacji urządzenia należy sprawdzić czy nie występuje wyciek gazu. Nie należy sprawdzać wycieków gazu otwartym ogniem. Rodzaj gazu, na jaki zostało przystosowane urządzenie, jest wpisany na tabliczce znamionowej.

KONTROLA PODŁĄCZENIA WŁAŚCIWEGO TYPU GAZU

Sprawdzić, czy urządzenie jest przystosowane do typu podłączonego gazu - podłączony gaz powinien być zgodny z oznaczeniem na tabliczce znamionowej.

PODŁĄCZENIE INNEGO TYPU GAZU

Urządzenia są przystosowane do gazu ziemnego. Przesławienie urządzenia na inny typ gazu zasilającego może być wykonane jedynie przez wykwalifikowany personel autoryzowanego serwisu producenta. Dysze na propan-butan są dołączone do urządzenia w osobnym woreczku.

WYMIANA DYSZY PALNIKA GŁÓWNEGO (RYS. 3)

Zdjąć ruszt i górne części palnika oraz nierdzewną pokrywę (A). Odkręcić dyszę (D) i wkręcić nową - na właściwy typ gazu, zgodnie z tabelą danych technicznych. Nie trzeba ustawiać palnika. Wszystkie części zamontować na właściwe miejsce w odwrotnej kolejności niż były zdemontowane.

Ważne:



Po przesławieniu urządzenia na inny typ gazu należy zmienić opis na tabliczce znamionowej.

Kontrola pracy urządzenia:

- skontrolować ewentualne wycieki gazu
- skontrolować zapalenie i płomień głównego palnika
- skontrolować płomień głównego palnika przy pracy z minimalną mocą
- sprawdzić, czy płomień otacza termoparę i jest barwy niebieskiej
- zaleca się używać urządzenia zgodnie z instrukcją obsługi

USTAWIENIE MINIMALNEGO PŁOMIENIA (PRZY ZMNIEJSZONEJ MOCY)

Płomień minimalny ustawia się za pomocą śrubki znajdującej się w korpusie zaworu gazowego.

ABY WYREGULOWAĆ NALEŻY:

- zdjąć pokrętło regulacyjne (ciągnąć do siebie)
- małym śrubokrętem przez otwór regulacyjny ustawić płomień

PODŁĄCZENIE PRZEWODU ZASILAJĄCEGO

Przewód elektryczny powinien posiadać oddzielny bezpiecznik, odpowiadający mocy instalowanego pieca. Moc urządzenia należy skontrolować na tabliczce znamionowej umieszczonej na bocznej ścianie urządzenia.

Przewód uziemiający musi być dłuższy od pozostałych przewodów. Urządzenie należy podłączyć bezpośrednio do sieci. Między urządzeniem a siecią należy zamontować wyłącznik zabezpieczający zgodny z normami. Przewód uziemiający (żółto-zielony) nie może być podłączony do tego wyłącznika.

Przewód elektr. powinien być umieszczony tak, aby w żadnym punkcie nie osiągnął temp. o 50° wyższej od otoczenia. Przed podłączeniem do sieci należy sprawdzić czy:

- bezpiecznik wewn. oraz instalacja są odpowiednie do obciążenia urządz.(patrz tabl. znam.)
- instalacja posiada uziemienie zgodne z normami
- wył. zabezp. jest łatwo dostępny

Producent nie ponosi odpowiedzialności w przypadku nie zachowania odpowiednich norm lub naruszenia w / w zasad.

Przed użyciem, urządzenie należy wyczyścić (patrz rozdz. czyszczenie i konserwacja). Urządzenie musi być uziemione za pomocą śruby z oznaczeniem uziemienia.



- Nie wkładaj wtyczki zasilania do źródła zasilania. szuflady i nie wyciągaj z el. gniazda z mokrymi rękami i ciągnąc za zasilaczem!
- Nie używaj przedłużaczy ani gniazd.

Podłączenie wody

Przyłącze wody przeprowadzić za pomocą opancerzonego węża ciśnieniowego. Wypust powinien być zakończony zaworem.

Odpad musi być umieszczony ponżej spustu z wanny i musi być podłączony do odpływu poprzez syfon.

Srednica do podłączenia wody 3/4" a srednica wea odpadu to 20 mm.

Właściwości doprowadzanej wody:

- Twardość wody musi się mieścić w zakresie 0,5 - 5 ° francuskich stopni. Jeśli twardość będzie większa należy zastosować zmiękczacze wody.
- Ciśnienie wody musi się mieścić w zakresie 50 - 250 kPa.
- Zawartość chloru w wodzie nie może być wyższa niż 10 ppm, w przeciwnym wypadku może dojść do uszkodzenia wanny.
- Odczyn wody musi być wyższy niż 7 pH.
- Przewodność elektryczna : 50 - 2000 uS/cm(20°C)

INSTRUKCJA OBSŁUGI

Obsługa

Aby uruchomić urządzenie ustaw pokrętko energoregulacji (B) na pozycję MAX. Następnie przekręć pokrętko przełącznika (A) o 90 stopni w prawo lub w lewo. Została ustawiona maksymalna moc urządzenia. Możesz ją zmniejszać operując pokrętłem (B). Mniejsza cyfra = mniejsza moc.

Aby użyć trybu maksymalnie oszczędnej pracy ustaw pokrętko (B) na pozycję MAX a pokrętko (A) przekręć o 180 stopni. Tryb pracy oszczędnej nie będzie włączony jeśli pokrętko (B) będzie ustawione na innej pozycji niż MAX.

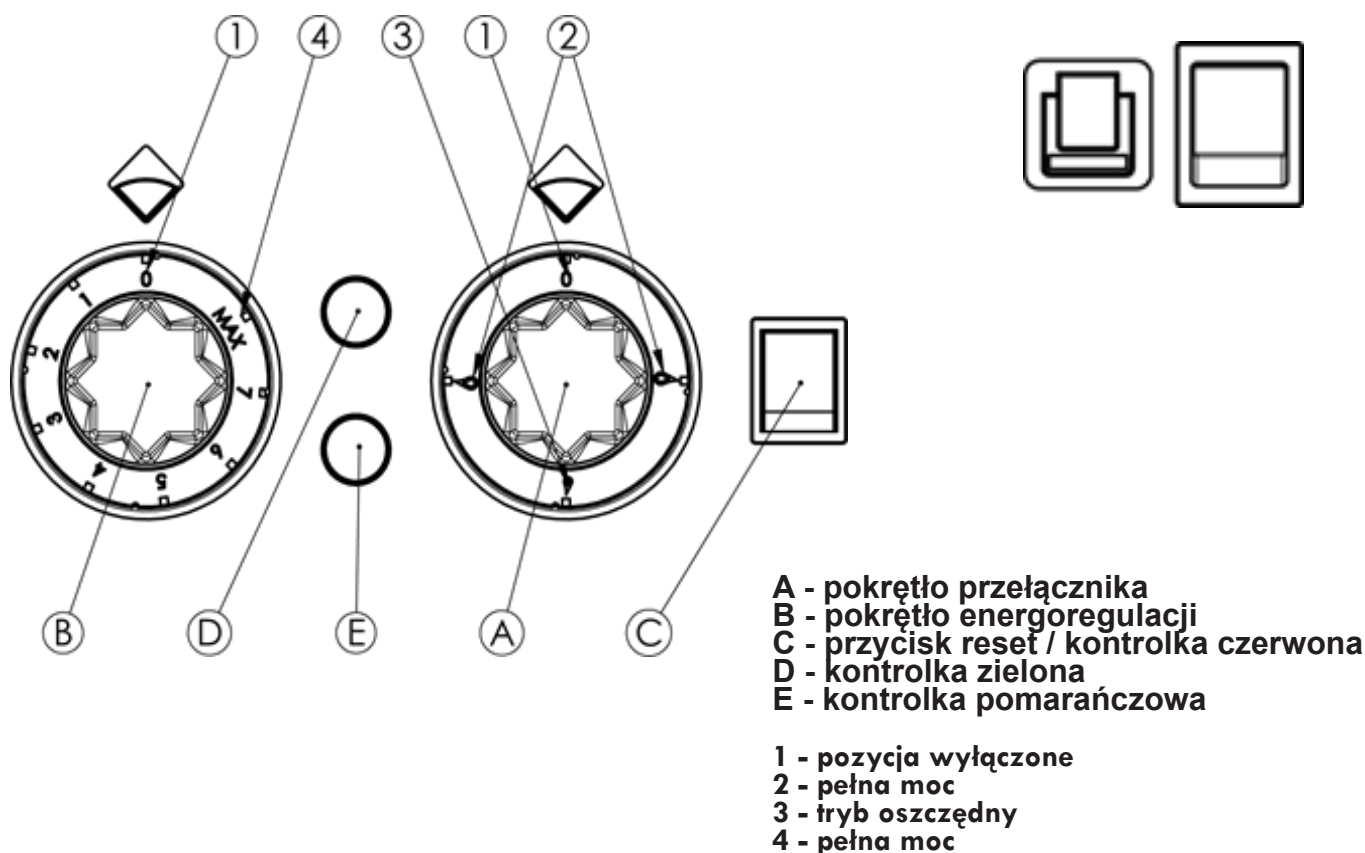
Zapalenie palnika

Po przekręceniu pokrętła (A) dojdzie do automatycznego zapalenia palnika. Jest to sygnalizowane zaświeceniem zielonej kontrolki (D). Jeśli nie dojdzie do zapłonu i zaświecenia zielonej kontrolki, zaświeci się kontrolka czerwona (C). Kontrolka (C) jest jednocześnie przyciskiem - naciśnij go a próba zapalenia palnika zostanie powtórzona

Zaświecona kontrolka pomarańczowa (E) oznacza, że urządzenie pracuje na pełnej mocy. Jeśli nie świeci, oznacza to, że urządzenie pracuje w trybie oszczędnym. Jeśli pomimo ustawienia na pokrętkach (A) i (B) trybu oszczędnego, świeci się pomarańczowa kontrolka, oznacza to

Wyłączenie urządzenia

Przekręć obydwa pokrętki do pozycji „0”. Pamiętaj - jeśli urządzenie nie będzie dłużej używane, odetnij dopływ gazu, zakręcając główny zawór.



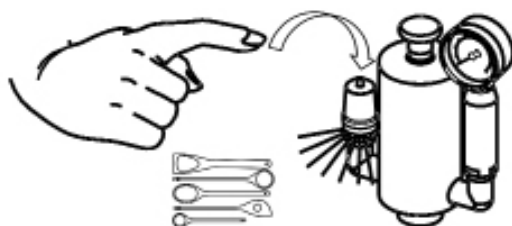
ODPOWIETRZANIE DUPLIKATORA

Po włączeniu kotła konieczne jest wykonanie odpowietrzenia duplikatora po czasie 10 min. do chwili, aż duplikator wypełni się parą.

Tę czynność wykonuje obsługa za pomocą narzędzia kuchennego, na przykład chochelki, którą trzeba nacisnąć trzpień w zaworze odpowietrzającym armatury bezpieczeństwa i przytrzymać go w pozycji wciśniętej przez czas 3 sek. W ten sposób sprężone powietrze wydostaje się z duplikatora i kocioł może pracować z pełną mocą. Jak tylko z zaworu odpowietrzającego, po naciśnięciu trzpienia zacznie się wydostawać para, można już dalej nie kontynuować tej czynności.

!UWAGA!

Przy naciśnięciu trzpienia odpowietrzającego (na przykład palcem), bez użycia wspomnianego narzędzia kuchennego, istnieje ryzyko poparzenia.



AUTOKLAW

Autoklaw

Kotły z literą „A” w oznaczeniu posiadają system autoklawu. Oznacza to, że pokrywę kotła można dokręcić za pomocą 4 klamer, przez co staje się całkowicie szczelna a w komorze kotła wytwarza się podciśnienie. Podciśnienie wskazane jest na wskaźniku ciśnienia (str. 10, pkt 6 na rysunku) Jeśli system autoklaw został użyty (pokrywa została zamknięta za pomocą klamer) konieczne jest otwarcie zaworu w ciśnienia przed całkowitym otwarciem pokrywy. W przeciwnym wypadku otwarcie pokrywy może spowodować wybuch ciśnienia z komory i poważne uszkodzenia zdrowotne osoby obsługującej! Zawór ciśnienia znajduje się przy wskaźniku ciśnienia.

Zawsze spuść ciśnienie za pomocą zaworu, zanim otworzysz całą pokrywę.

INSTRUKCJE DOTYCZĄCE UŻYTKOWANIA

Zaleca się kontrolę urządzenia przez profesjonalny serwis 2 razy w roku. Wszystkie interwencje w urządzeniu może przeprowadzać tylko przeszkolona osoba, która ma wymagane do tego uprawnienia.

Uwaga! Przed rozpoczęciem używania urządzenia należy ściągnąć z całej powierzchni folię ochronną oraz przemyć urządzenie wodą z płynem do naczyń, a następnie przetrzeć wilgotną szmatką.

- Czyszczenie przede wszystkim powierzchni, która jest w kontakcie z żywnością musimy przeprowadzać codziennie i bardzo dokładnie.
- Części nierdzewnych nie wolno czyścić pastami gruboziarnistymi lub środkami agresywnymi.
- Do czyszczenia nie używać papierów ściernych.
- W razie silnego zabrudzenia powierzchni dopuszczalne jest użycie gąbki z utwardzoną powierzchnią.
- Urządzenie czyścić wyłącznie zimne - w przeciwnym wypadku grozi to oparzeniem.
- W czasie dłuższej przerwy w eksploatacji urządzenia należy je zakonserwować olejem jadalnym i wyłączyć zasilanie elektryczne.
- Urządzenia nie należy czyścić wodą pod ciśnieniem (z węża).



W razie awarii:

Odłączyć zasilanie elektryczne. Wezwać autoryzowany serwis.

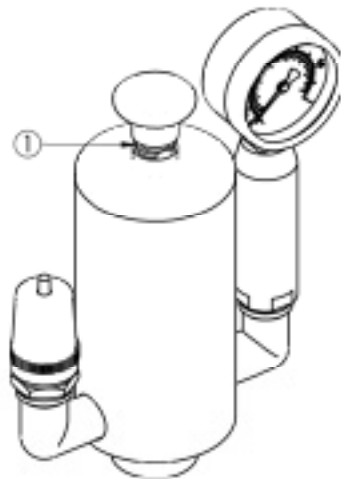
GWARANCJA

Gwarancja nie obejmuje żadnych części, które podlegają naturalnemu zużyciu (uszczelki, żarówki, części plastikowe i szklane itp.) Gwarancja nie obejmuje również urządzenia jeśli podłączone było nie zgodnie z instrukcją lub przez osoby nie posiadające odpowiednich uprawnień. Gwarancja nie obejmuje uszkodzeń spowodowanych warunkami atmosferycznymi lub przez osoby trzecie.

POJISTNÝ PŘETLAKOVÝ VENTIL ZAWÓR CIŚNIENIA

Před spuštěním přístroje je nutno vyjmout kroužek (obr. 1, pozn. 1), který slouží k ochraně pojistného přetlakového ventilu při manipulaci. V případě, že by kroužek zůstal na místě, nebude ventil těsnit a bude docházet k unikání páry.

Pojistný přetlakový ventil



Add 1

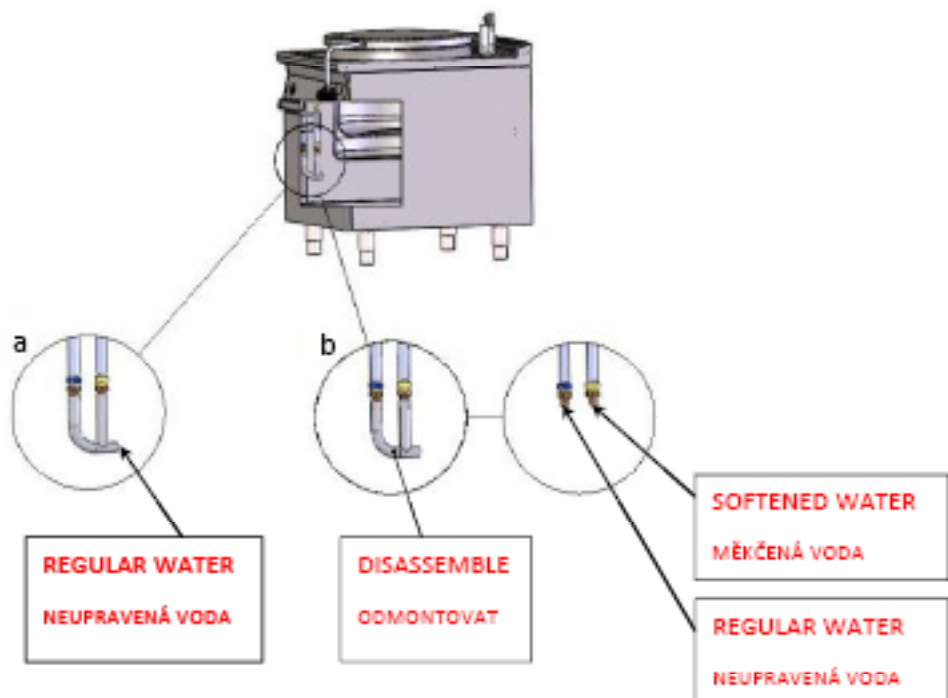


1 - obręcz zabezpieczająca a nad nią kurek spustowy zaworu ciśnienia (autoklaw)

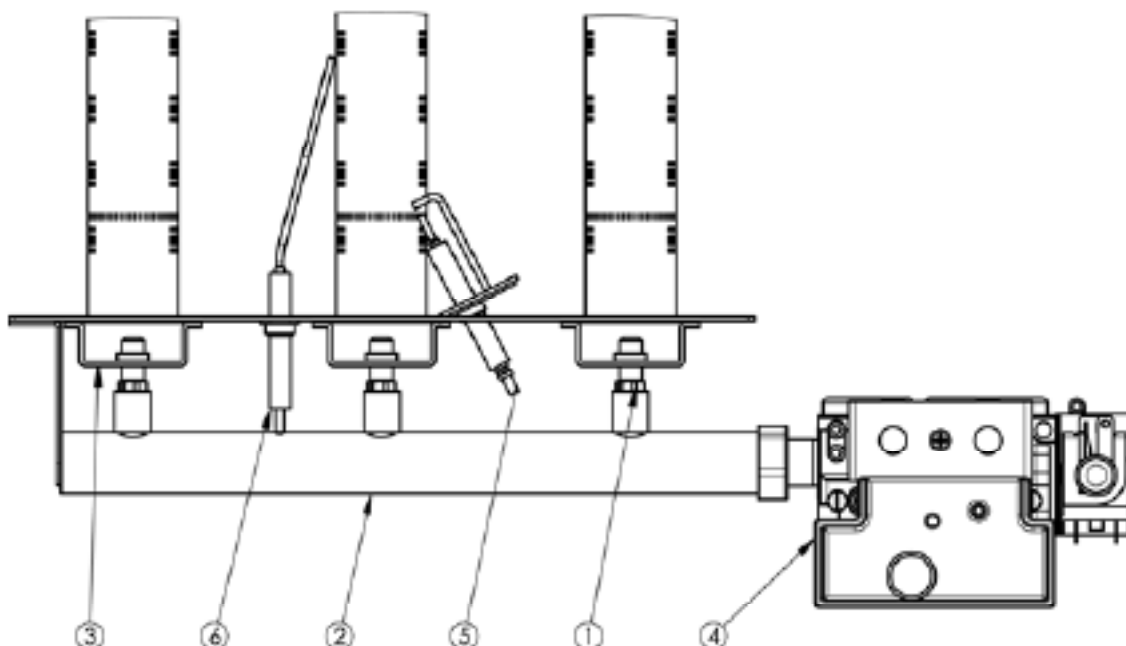
Add 2

a) For regular water only / Pouze pro neupravenou vodu

b) For softened and regular water / Pro měkčenou a neupravenou vodu



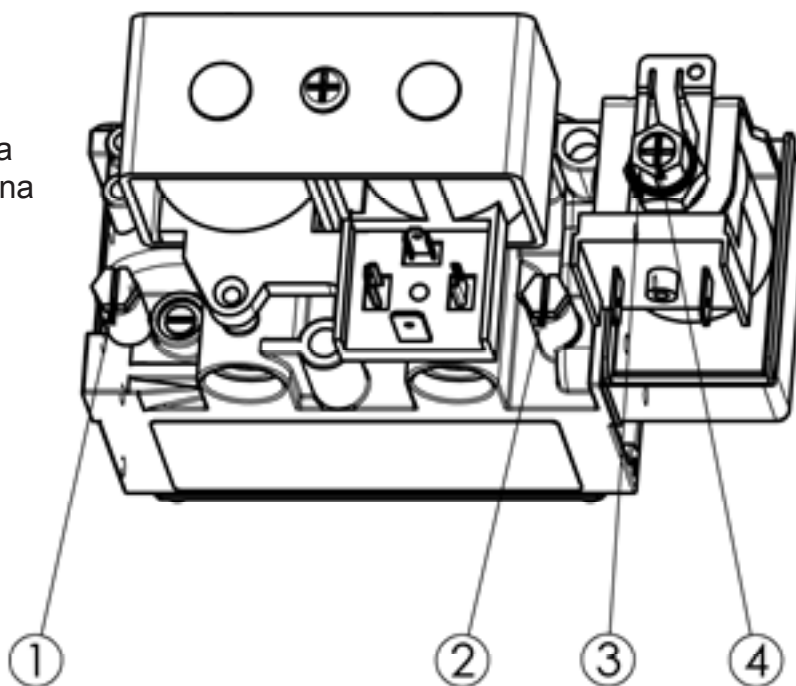
PLYNOVÝ VENTIL, TRYSKY A HOŘÁKY ZAWÓR GAZOWY, DYSZE I PALNIKI



- 1 – tryska
- 2 – držák trysek
- 3 – hořák
- 4 – plynový ventil
- 5 – zapalovací svíčka
- 6 – ionizační elektroda

PLYNOVÝ VENTIL ZAWÓR GAZOWY

- 1 - dysza
- 2 - uchwyt dysz
- 3 - palnik
- 4 - zawór gazowy
- 5 - świeca zapłonowa
- 6 - elektroda izolacyjna



- 1 - Punkt kontrolny ciśnienia wylotowego gazu
- 2 - Punkt kontrolny ciśnienia wlotowego gazu
- 3 - Nakrętka regulacji ciśnienia pełnej mocy
- 4 - Śruba regulacji ciśnienia oszczędnej pracy

- 1 – kontrolní bod výstupního tlaku plynu
- 2 – kontrolní bod vstupního tlaku plynu

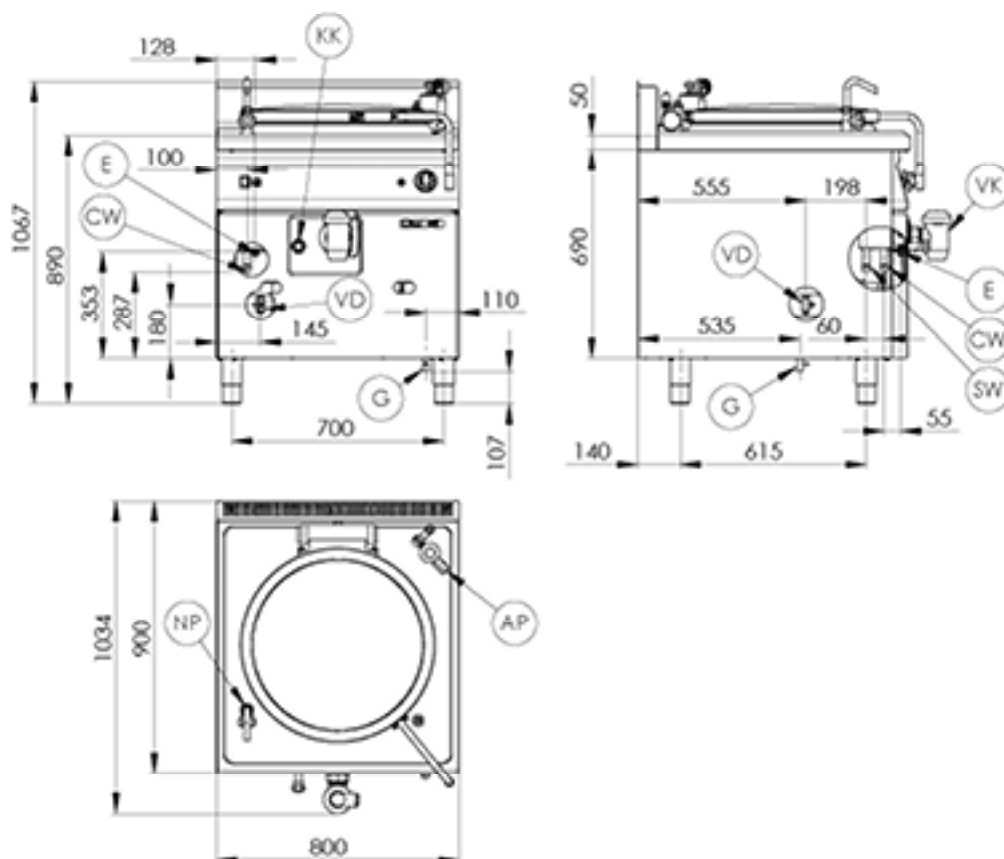
- 3 – seřizovací matice tlaku plného výkonu
- 4 – seřizovací šroub tlaku spora

Seznam dílů pro výměnu

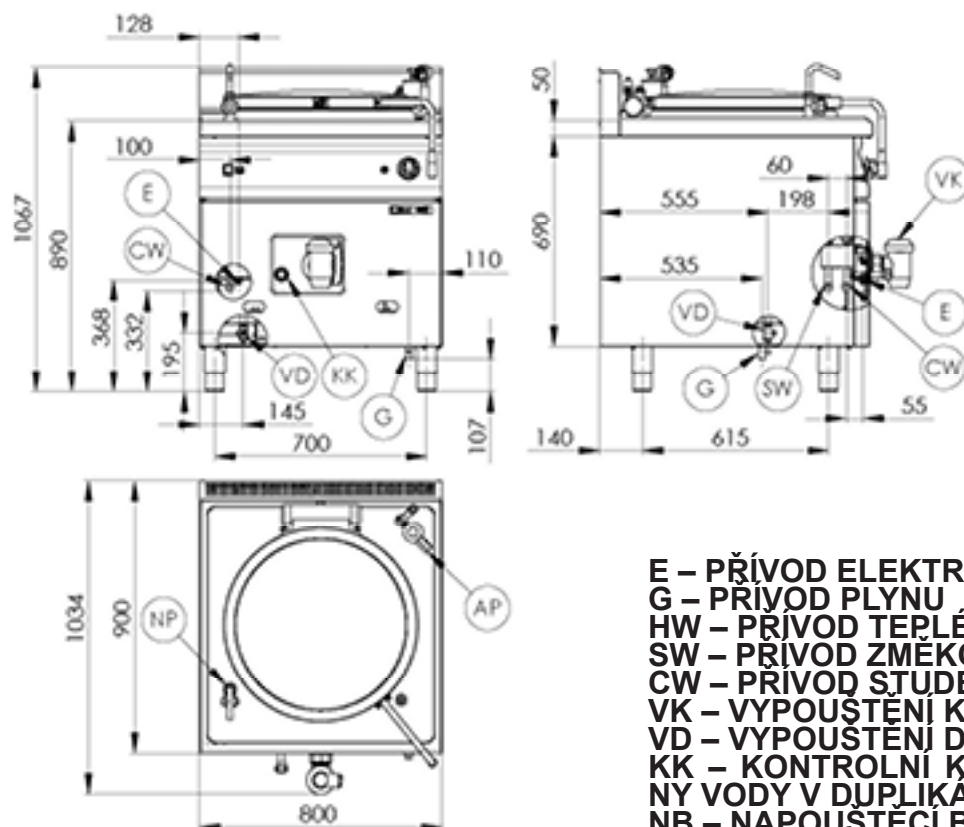
Zkratka 1	Název zboží
402590708	Regulační knoflík RF-900 mat E
402590710	Podložka regulačního knoflíku RF-900 mat
402594046	Samolepící značka - šipka REDFOX
402594253	Samolep. etiketa BIG L900 REDFOX
402594252	Samolep. etiketa reostat BI-E REDFOX
404050416	Automatika CM12F Tw1,5 Ts10
404050412	Elektroda ionizační 140 mm Gasex BI-G
404000020	Hořák BR-90 G
402008108	Kabel SIT napájecí k modulátoru ventilu SIGMA
402008109	Kabel SIT napájecí k ventilu SIGMA
402008100	Kabel zapalovací vysokonapěťový R2,2-L800-R3,9
402008130	Kabel zapalovací vysokonapěťový F2,8-L500-R3,9
404530200	Svíčka FTG
404510016	Ventil plynový 843 SIGMA
402010000	Kabel přívodní 220V ECO-PVC
401515152	Kontrolka kulatá bílá LED L700
401515151	Kontrolka kulatá zelená LED L700
401505000	Přepínač otočný T920-960 RM
402520000	Reostat SE 40/70
401500553	Spínač černý bez potisku IP65
401500552	Spínač červený prosvětlený
402501400	Termostat pracovní 30-90°C BM
402005007	Vnitřní kabeláž H7
402005044	Vnitřní kabeláž H44
402005059	Vnitřní kabeláž H59
402005060	Vnitřní kabeláž H60
402005061	Vnitřní kabeláž H61
402005062	Vnitřní kabeláž H62
402005065	Vnitřní kabeláž H65
402005066	Vnitřní kabeláž H66
402005067	Vnitřní kabeláž H67
402005068	Vnitřní kabeláž H68
402006047	Vnitřní kabeláž M47
402006048	Vnitřní kabeláž M48
402006050	Vnitřní kabeláž M50
402006051	Vnitřní kabeláž M51
402006052	Vnitřní kabeláž M52
402006053	Vnitřní kabeláž M53
402007005	Vnitřní kabeláž Z5
402007006	Vnitřní kabeláž Z6

ROZMĚROVÝ NÁČRTEK S PŘÍPOJNÝMI BODY RYSUNKI ROZMIAROWE Z PUNKTAMI PRZYŁĄCZY

BI - 90/100 G

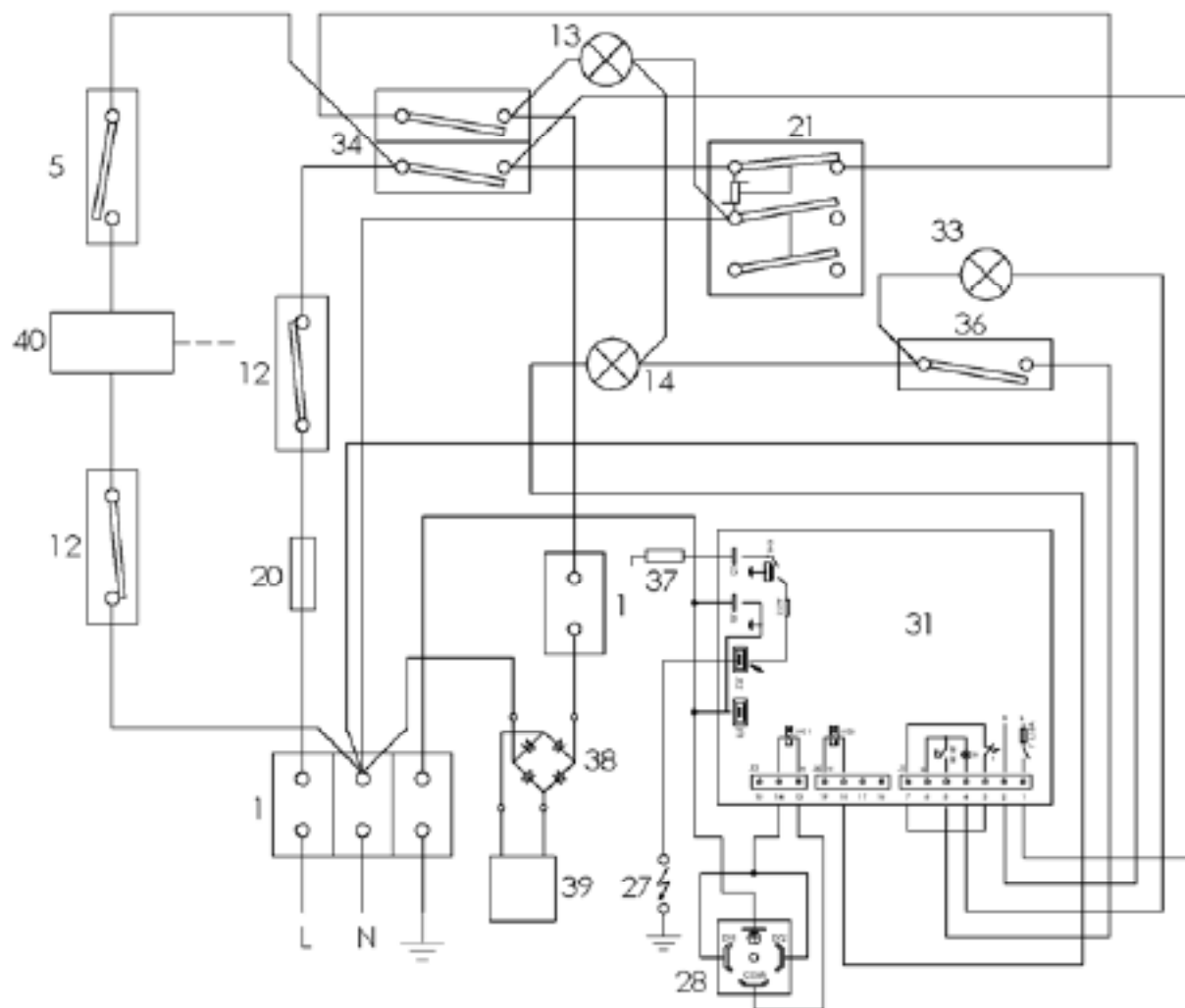


BI - 90/150 G



E - PŘÍVOD ELEKTRICKÉ ENERGIE
G - PŘÍVOD PLYNU
HW - PŘÍVOD TEPLÉ VODY
SW - PŘÍVOD ZMĚKČENÉ VODY
CW - PŘÍVOD ŠTUDENÉ VODY
VK - VYPOUSTĚNÍ KOTLE
VD - VYPOUSTĚNÍ DUPLIKÁTORU
**KK - KONTROLNÍ KOHOUT HLADÍ-
 NY VODY V DUPLIKÁTORU**
NB - NAPOUSTĚCÍ BATERIE
AP - POJISTNÁ ARMATURA

SCHÉMA ZAPOJENÍ SCHEMAT PODŁĄCZENIA



DECLARAȚIE DE CONFORMITATE CU NORMELE

Producătorul declară că aparatele sunt conforme cu normele 2009/142/ES, 2004/108/ES, 2006/95/ES, cu legea nr. 22/1997 sb., nr. 258/2000 sb., nr. 616/2006 sb., 17/2003 sb. și cu prevederile relevante ale Guvernului. Instalarea trebuie efectuată în conformitate cu normele actuale. Atenție, producătorul nu-și asumă răspundere în cazuri de defecțiuni directe sau indirecte, datorate instalării sau modificărilor incorecte, întreținerii necorespunzătoare, utilizării defectuoase, sau care sunt rezultatul altor cauze decât cele menționate în punctul despre condițiile vânzării. Acest aparat este destinat exclusiv spre utilizare specializată și trebuie deservit de către personal calificat. Piesele, care au fost sigilate de către producător sau un lucrător împuternicit în acest sens nu pot fi remontate

DATE TEHNICE

Menționam faptul că echipamentul cu caracteristicile tehnice descrise în prezentul manual nu se încadrează în categoria echipamentelor pentru uz casnic, echipamentul fiind destinat în exclusivitate uzului comercial, de către personal calificat.

Plăcuța cu datele tehnice este amplasată pe partea din spate a aparatului. Înainte de a instala aparatul

Typ	Duplicator	Volum cazan (l)	Putere (kW)	TENSIUNE (V/Hz)	DIMENSIUNI (cm)	GREUTATE (kg)
BI(A)-90/100 G	da	100	22,5	230/50	80x90x90 v	120
BI(A)-90/150 G	da	150	22,5	230/50	80x90x90 v	130

Typ	Racordare la gaz	Racordarea la rețeaua de alimentare cu apă	Suprapresiune duplicator (bar)	sistem de încălzire
BI(A)-90/100	G1/2	G1/2	0,5	INDIRECTE
BI(A)-90/150	G1/2	G1/2	0,5	INDIRECTE

DATELE TEHNICE ARZĂTOARE

	12,8k Wh/kg G30/31 PROPAN/BUTAN 30mbar	12,8 kWh/kg G31 PROPAN 37mbar	12,8 kWh/kg G30/31 PROPAN/BUTAN 50mbar	9,45 kWh/kg G20 GAZ METAN 20mbar
Duza arzătorului 1/1000 mm	135	135	135	250
suprapresiune arzătorului - max. Putere (mbar)	23	23	23	9
suprapresiune arzătorului - sporo (mbar)	10	10	10	3
consum de gaz	1,7 kg/h	1,7 kg/h	1,7 kg/h	2,4 m3/h

Cazane cu gaze sunt construite în vederea unor maxime randamente, rezistență și durabilitate pentru operare în condiții cele mai grele, cât și simplitate, împreună cu o întreținere ușoară. Pentru fabricare sunt folosite piese de înaltă calitate.

- Flacăra și consum de gaz optimizate
- Conectare la apă rece
- Structură masivă
- Fasonare ergonomică a organelor de comandă
- Optimizată fasonare a suprafeței pentru curățare ușoară
- Operare simplă
- Înveliș din oțel inoxidabil AISI 430, învelișul cuvei 304 și baza cuvei cazanului AISI 316
- Robinet de evacuare cromat

VERIFICAREA AMBALAJULUI ȘI APARATULUI

Aparatul iese din depozitele noastre ambalat în mod reglementar, cu indicarea simbolurilor și însemnelor corespunzătoare. Ghidul de deservire corespunzător se găsește în ambalaj. Dacă ambalajul prezintă semne de manevrare necorespunzătoare sau urme de deteriorare, este necesar de atenționat transportatorul și de a face un proces verbal de deteriorare.

Avertismente importante

-Produsul este destinat utilizării numai în interior.

Nu folosiți niciodată dispozitivul cu sursa sau fișa de alimentare deteriorate sau dacă nu funcționează corect, a căzut pe jos și s-a deteriorat sau dacă a căzut în apă. În astfel de cazuri duceți dispozitivul la un service specializat pentru a se verifica siguranța și funcționarea corectă

- Acest ghid trebuie citit cu atenție pentru că conține informații importante despre securitate, instalare și utilizare
- Următoarele recomandări se aplică acestui produs
- Produsul este conform cu normele actuale
- Acest ghid trebuie păstrat pentru utilizarea ulterioară
- Împiedicați manipularea aparatului de către copii
- La vânzare sau relocare asigurați-vă că deservirea aparatului va fi efectuată în conformitate cu instrucțiunile din ghidul anexat
- Produsul poate fi deservit doar de către personalul instruit
- Poate fi utilizat doar pentru prepararea produselor alimentare
- Să nu fie lăsat fără supraveghere
- Se recomandă o inspectare specializată minim 1 dată pe an
- În cazul unei reparații piesele trebuiesc înlocuite doar cu piese de schimb originale
- A nu se curăța produsul cu jet direct de apă sau apă sub presiune
- În caz de defectare sau disfuncție a aparatului se cere de a deconecta orice alimentare (apă, electricitate, gaz) și de apelat la un servis autorizat
- Producătorul nu-și asumă răspundere în cazul defecțiunilor datorate instalării incorecte, nerespectării avertismentelor susmenționate, utilizării în alte scopuri, etc.

INSTALAREA

Instrucțiuni tehnice pentru instalare și reglare

Destinat DOAR utilizării de către tehnicieni specializați.

Instrucțiunile următoare sunt destinate tehnicianului calificat pentru reparație: Toate operațiunile trebuie să fie efectuate cât mai atent și în conformitate cu normele actuale!!!

Important:

Orice activitate de reglare a aparatului trebuie efectuată după deconectarea acestuia de la rețeaua electrică. Dacă e nevoie de lăsat aparatul sub tensiune, se cere să fiți mai atenți!

AMPLASAREA

Pentru asigurarea funcționalității aparatului, spațiul (bucătăria) unde va fi amplasat acesta trebuie să fie bine aerisit (referitor la aceasta: tehnicianul să urmeze normele actuale ale ČSN)

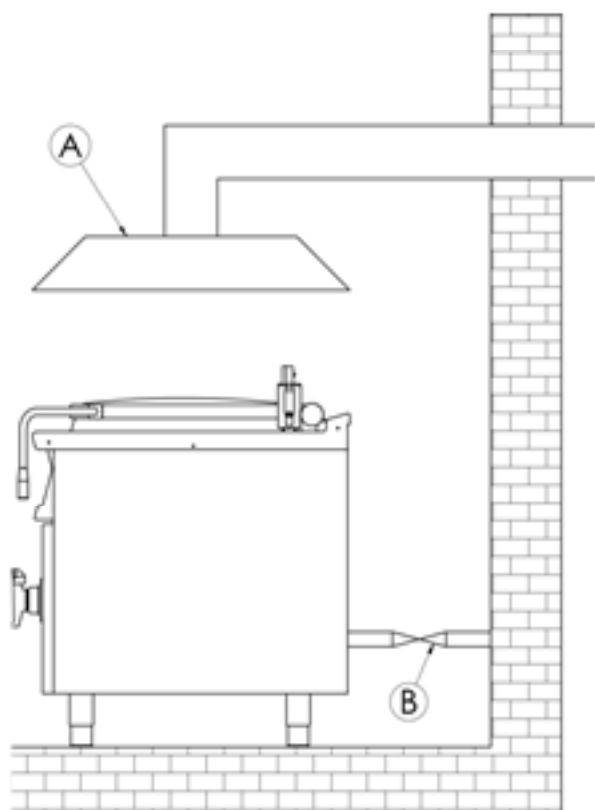
Dacă aparatul e instalat în așa fel încât are contact cu suprafața mobilierului, acestea trebuie să fie rezistente la temperaturi de 60°C. Instalarea, reglarea și darea în exploatare trebuie să fie efectuate de către o persoană calificată, care este autorizată în acest sens și în conformitate cu normele în vigoare.

Despachetați aparatul și verificați dacă nu a fost avariat în timpul transportării. Amplasați aparatul pe o suprafață orizontală (deviere maximă până la 2°). Amplasați aparatul sub hotă ca să fie eliminat mirosul și aburii.

Aparatul poate fi instalat separat sau în serie cu alte produse din gama noastră. Este necesar de a păstra o distanță minimă de 10cm de alte obiecte și de a evita contactul cu obiectele inflamabile. În astfel de cazuri se cere izolarea termică a pieselor inflamabile.

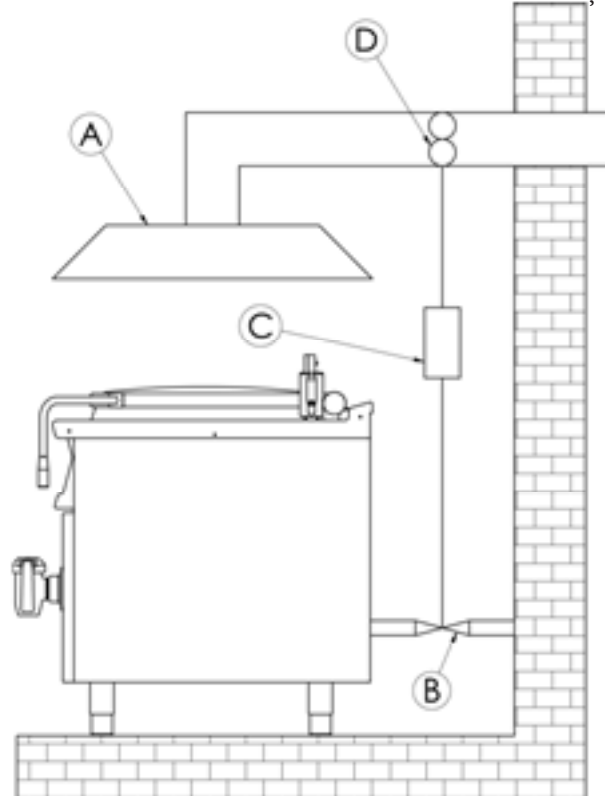
EVACUAREA GAZELOR DE ARDERE

DESUFUMARE NATURALĂ



Racordul nișei este într-un corp de coș separat (A). Evacuarea gazelor de ardere este asigurată de tiraj natural al coșului.

DESUFUMARE FORȚATĂ



Racordul nișei este prevăzut fără desfumare naturală. Evacuarea gazelor de ardere este asigurată cu ajutorul ventilatorului (D), (DESUFUMARE FORȚATĂ). În acest caz este strict necesar a se asigura interconectarea cu admisiunea gazelor (B) pentru oprirea admisiunii gazelor în caz de întrerupere de alimentare.

CONTROLUL RANDAMENTULUI TERMIC

Consumatoare electrice trebuie să fie controlate pentru a se verifica randamentul lor termic:

Randamentul termic este însemnat pe plăcuța matricolă sau îl puteți regăsi în prezentul manual de instrucțiuni. Întâi de toate, trebuie verificat dacă consumătorul electric este fabricat pentru același tip de gaz care va fi utilizat și prin urmare corespunde cu marcajul de pe plăcuța privind tipul de gaz care va fi utilizat. Pentru transformarea cazanului pentru un alt tip de gaz, trebuie controlat dacă corespunde tipul de gaz marcat cu acela care este recomandat în acest manual.

Pentru transformarea cazanului pentru un alt tip de gaz, trebuie controlat dacă corespunde tipul de gaz marcat cu acela care este recomandat în acest manual. Presiunea se măsoară cu manometru de o necesară sensibilitate. Manometrul se conectează pe locul aferent, de aceea trebuie deșurubat șurubul cu închidere ermetică și conectat manometrul. După încheierea măsurării trebuie înșurubat șurubul înapoi și verificată etanșeitatea.

MĂSURI DE SECURITATE DIN PUNCT DE VEDERE AL PROTECȚIEI ÎMPOTRIVA INCENDIILOR CONFORM CSN EN 061008 ȚL. 21:

- Deservirea aparatului trebuie să fie asigurată de către persoane mature
 - Aparatul poate fi utilizat fără pericol în condiții obișnuite conform EN 332000-1
 - Aparatul trebuie amplasat în așa fel încât să fie fixat pe un suport neinflamabil
- Se interzice amplasarea obiectelor inflamabile pe aparat, precum și în apropierea acestuia la distanțe mai mici decât cele recomandate (distanța minimă recomandată este de 10cm)
- Distanțele sigure față de obiectele inflamabile și informațiile despre gradul de combustibilitate a materialelor de construcție sunt indicate în tabel

Tabel:

Gradul de combustibilitate a materialelor de construcție (EN 730823) după substanțe și produse

A neinflamabil	granit, var, beton, cărămidă, gresie ceramică, tencuiala
B greu inflamabile	placă fibrolemnoasă, fibre minerale
C1 dificil inflamabil	lemn, foioase, hârtie întărită, placaj
C2 mediu inflamabil	plăci aglomerate din aşchii de lemn, plăci din plută, cauciuc, pardoseala din PVC
C3 ușor inflamabil	plăci fibrolemnoase, polistiren, poliuretan, PVC

Aparatul trebuie instalat într-un mod sigur. În timpul instalării trebuie respectate prevederile de siguranță, proiectare și igienă în conformitate cu:

- EN 06 1008 securitatea de incendiu a dispozitivelor locale și surselor de căldură
- EN 33 2000 mediul înconjurător pentru aparate electrice (33 2000-4-42; 33 2000-4-482)

ȚEAVA PENTRU GAZ:

ȚEAVA PENTRU GAZ:

Aparatul poate fi alimentat cu gaz doar prin țeavă din oțel zincat, cupru sau țeavă flexibilă din oțel și în conformitate cu normele în vigoare. Fiecare aparat trebuie dotat cu un robinet pentru conducta de gaz, ca să fie posibilă oprirea imediată a alimentării cu gaz. După instalarea dispozitivului trebuie verificate eventualele scurgeri de gaze. Să nu verificați scurgerile cu o sursă deschisă de foc, folosiți materiale ce nu generează coroziune. Puteți folosi, de exemplu, o soluție de apă cu săpun. Aparatele au fost verificate de către producător, detalii despre tipul gazului, presiune și tipul aparatului le veți găsi pe plăcuța cu caracteristici.

Racordare la gaz lichid:

Presiunea pentru racordarea la sursă de gaz lichid trebuie să fie de 28 sau 30 mbar pentru propan butan și de 37 mbar pentru propan. Trebuie verificată plăcuța matricolă, măsurată presiunea și controlați parametrii duzei instalate cu parametrii duzei solicitați conform cerințelor fabricantului. Dacă presiunea este mai mică decât 25 mbar sau mai mare decât 37 mbar, CONSUMĂTORUL NU POATE FI RACORDAT

Racordare la gaz metan:

Presiunea pentru racordarea la sursă de metan trebuie să fie de 18 sau 20 mbar. Trebuie controlată plăcuța matricolă măsurată presiune și controlați parametrii duzei instalate cu parametrii solicitați ai duzei conform cerințelor fabricantului/ Dacă presiunea este mai mică decât 15 mbar sau mai mare decât 22,5 mbar CONSUMĂTORUL NU POATE FI RACORDAT

Aparatele sunt reglate și verificate pentru gaz petrol lichid (vezi plăcuța aparatului). Adaptarea lui la un alt tip de gaz poate fi efectuată doar de către o persoană calificată, duzele pentru alte tipuri de gaz sunt incluse în ambalajul cu ghidul de utilizarea.

Înlocuirea duzelor:

Trebuie procedat în felul următor: Demontați panoul frontal și demontați suportul duzei. Înlocuiți duza conform tabelii cu date tehnice ale arzătoarelor. Montați suportul duzei înapoi și la robinetul de gaz reglați suprapresiunea în duza la valori potrivite pentru gazul respectiv. Procedați în modul următor: demontați șurubul din punctul de control al suprapresiunii de pe duza (fig. 5, coment.1) și conectați pe el manometru. După aceea lansați aparatul până la randamentul maxim și cu cheia de 10mm, prin strângerea piuliței suprapresiunea se ridică și prin slăbirea se scade. După reglarea lui la valoarea de dinainte, comutați în regim economic. Cu cheia mențineți piulița contra rotirii și cu șurubelniță în cruce reglați suprapresiunea în duza la valoarea stabilită. După aceea montați șurubul înapoi și controlați etanșeitatea.

Reglajul presiunii:

Presiune se măsoară cu manometru de o adecvată sensibilitate. După deșurubarea șurubului, un manometru cu închizător ermetic se conectează în locul relevant. Șurubul de reglare a presiunii este accesibil după demontarea acoperii. Presiunea se reglează la valoarea prezentată în tabela cu date tehnice ale arzătoarelor. După încheierea măsurărilor, trebuie înșurubat șurubul înapoi și verificată etanșeitatea.

Important:

După readaptarea aparatului modificați datele de pe plăcuța aparatului

Verificarea funcționării aparatului:

- Verificați eventualele scurgeri de gaze
- Verificați aprinderea și flacăra arzătorului principal
- Verificați flacăra arzătorului și la flacăra redusă (econom)
- Testați dacă flacăra atinge termoelementul și e albastră
- Se recomandă ca în timpul folosirii aparatului utilizatorul să se ghideze după actualul ghid

Racordare la sursă de apă se execută cu ajutorul de tuburi de alimentare cu filet G1/2. Racordarea se execută după înlăturarea panoului frontal. Admisiunea apei trebuie să fie prevăzută cu închizătoare separate care sunt liber accesibile și în apropierea instalației. O parte din instalația fac reținătoare. Apă pentru umplerea spațiului duplicatorului trebuie să fie dedurizată - max. 5° din sistemul francez de duritatea apei. Presiunea apei aduse trebuie să fie în interval de 50 - 300 kPa. Pentru încărcarea cu apă a spațiului de fierbere utilizați bateria de alimentare de pe partea de sus a cazanului. Deschideți capacul, rotiți brațul deasupra spațiului cazanului și dați drumul la apă. După umplerea cazanului, închideți apă și brațul puneți în poziția de parcare și închideți capacul cazanului.

Niciodată nu folosiți instalația în cazul în care duplicatorul este flpsit de apă! Este pericol de deteriorare a aparatului! Apă în duplicatorul controlați regulat și completați.

În cazul în care se va pierde apă prin fierbere din duplicatorul în timpul rulării, imediat opriți cazanul. Completarea apei este posibilă abia după răcirea cazanului. În caz de nerespectare a acestei condiții există pericol de deteriorare a duplicatorului!

Nivelul maxim al apei este 40 mm sub marginea de sus a cuvei. Rețineți că în momentul introducerii în lichid al alimentelor de gătit, nivelul se ridică!

CONECTAREA CABLULUI ELECTRIC LA REȚEA

CONECTAREA CABLULUI ELECTRIC LA REȚEA

Instalarea alimentării cu electricitate: conexiunea trebuie asigurată de sine stătător cu o siguranță corespunzătoare și în funcție de tensiunea aparatului instalat. Tensiunea aparatului poate fi verificată pe plăcuța producătorului din partea de spate a aparatului. Conectați aparatul direct la rețea și plasați un întrerupător între aparat și rețea, respectând distanța minimă de 3mm între contacte, și care sa corespundă cu normele în vigoare și cu sarcina de lucru. Firul de împământare (galben-verzui) nu trebuie afectat de acest întrerupător.

În orice caz cablul de alimentare trebuie amplasat în așa fel încât temperatura lui sa nu depășească în nici loc cu 50 de grade pe cea a mediului înconjurător. Înainte de a conecta aparatul la rețea asigurați-va că:

- Siguranța alimentării și distribuția internă vor rezista la sarcina aparatului (vezi plăcuța)
- Conductoarele sunt împământate corespunzător, conform normelor (ČSN) și prevederilor legale
- Priza sau întrerupătorul alimentării sunt ușor accesibile

Nu ne asumăm nici un fel de răspundere în cazul nerespectării acestor norme și în cazul încălcării principiilor enunțate mai sus.

Înainte de prima utilizare îndepărtați folia protectoare de pe aparat și curățați-l așa cum scrie în capitolul „curățare și întreținere”.



- Nu introduceți fișa de alimentare în priză cu mâinile ude și nici nu o scoateți trăgând de sursa de alimentare!
- Nu folosiți cabluri prelungitoare sau prize multiple.

Înainte de oricare punere în funcționare a cazanului cu încălzire indirectă, verificați umplerea cu apă a duplicatorului. Nivelul de apă trebuie să fie la înălțimea robinetului de control (fig. 4, coment. 8). În cazul în care din acest robinet deschis nu curge apă, duplicatorul trebuie să fie completat. Apă completați cu ajutorul butonului de umplerea apei în duplicatorul (fig. 2), care veți ține până când din robinetul deschis va curge apă. După ce apă nu va mai curge, închideți robinetul.

Operare - comandă

Energoregulator (fig. 2, coment. B) reglați la „MAX” și după aceea rotiți comutator (fig. 2, coment.A) spre dreapta sau spre stânga cu 90°. Astfel se reglează randamentul maxim. Prin rotirea comutatorului cu încă 90° se va regla regimul economic. Randamentul se mai poate reduce cu ajutorul energoregulatorului, atunci o valoare mai mică ajustată = randamentul mai mic. Energoregulatorul utilizați în cazul în care comutator este reglat la randamentul maxim.

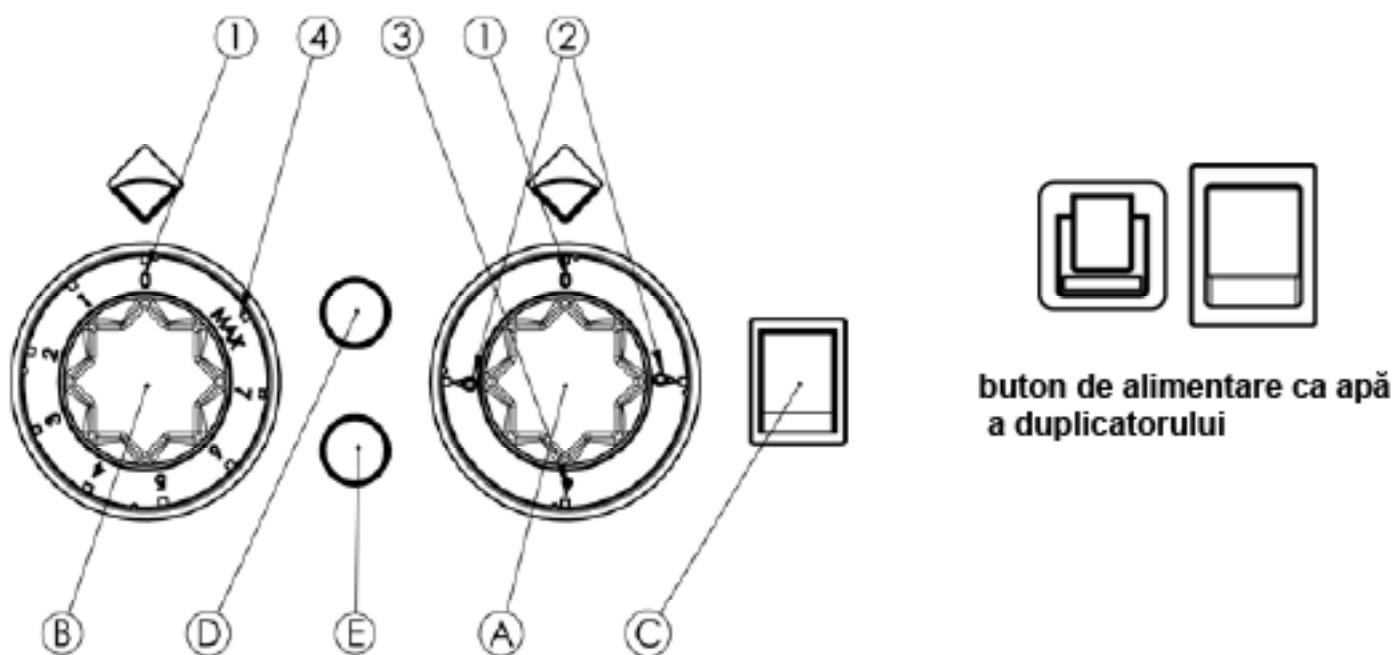
Aprinderea arzătoarelor

După rotirea comutatorului până la randamentul maxim sau regimul economic, în mod automat se produce aprinderea arzătoarelor. Această este semnalizat prin aprinderea becului de control verde (fig. 2, coment. D). Dacă aprinderea nu reușește la primă încercare, se aprinde în roșu butonul de resetare (fig. 2, coment. C). După apăsarea lui se produce o nouă aprindere. Dacă luminează control portocaliu (fig. 2, coment. E), semnalizează că arzătoarele lucrează cu randament maxim. În cazul în care nu luminează, această înseamnă că ard în regim economic. Această poate fi cauzat de comutarea comutatorului în poziția de regim economic, de ajustarea energoregulatorului într-o altă poziție decât „MAX”, sau de conjunctur de presiune în cazul în care este suficientă presiune în duplicatorul.

Oprirea cazanului

Oprirea cazanului se face prin rotirea comutatorului în poziția „0”.

Elemente de control (fig. 2)



A - comutator
 B - energoregulator
 C - buton de resetare
 D - bec de control verde
 E - bec de control portocaliu

1 - poziția oprire
 2 - randament maxim
 3 - regim economic
 4 - randament maxim

OPERAREA AUTOCLAVEI:

Sistemul de autoclavă se bazează pe același principiu de funcționare ca vasul Papin. Pentru funcționarea lui în siguranță trebuie să vă asigurați că toate cele 4 valve sunt strânse până la limita maximă admisibilă.

ATENȚIE!!!!

Înainte de a deschide capacul asigurat de sistem de autoclavă, întotdeauna trebuie neapărat descărcată presiunea sub formă de abur prin supapă de siguranță situată în centrul capacului. Prin nerespectarea acestui procedeu se poate produce accident, iar producător nu își asumă nici un fel de pagube produse asupra bunurilor sau sănătății.

Este recomandat de a inspecta aparatul, cel puțin o dată pe an, de către un servis specializat. Orice intervenții asupra aparatului pot fi operate doar de către o persoană calificată, autorizată în acest **ATENȚIE!!!**

Este interzisă curățarea aparatului sub jetul de apă sau apă sub presiune. Curățați aparatul zilnic. Întreținerea zilnică prelungește eficiența și funcționalitatea aparatului. Înainte de a curăța aparatul, asigurați-vă că acesta este deconectat de la rețeaua electrică. Întotdeauna să opriți alimentarea principală a aparatului. Părțile de inox curățați-le cu o cârpă umedă cu soluție de săpun și fără particule tari, iar uscați-le prin ștergere. Nu folosiți soluții de curățat abrazive sau corozive. Înlăturați toate resturile de mâncare de pe suprafața de lucru, posibil și cu ajutorul unui șpaclu.

Zilnic, după utilizarea, trebuie unse suprafețele de contact ale robinetului de descărcare cu vaselină alimentară. La robinetul cu con, vaselină îi asigură și etanșeitatea. Niciodată nu goliți conținutul cazanului fără sita la deversor. Este pericol de astupare și deteriorare a robinetului.

Procedeu în caz de disfuncție a aparatului

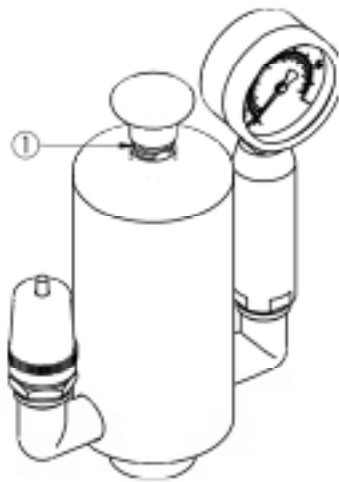
Opriți alimentarea cu electricitate și apelați servisul vânzătorului.

ATENȚIONARE

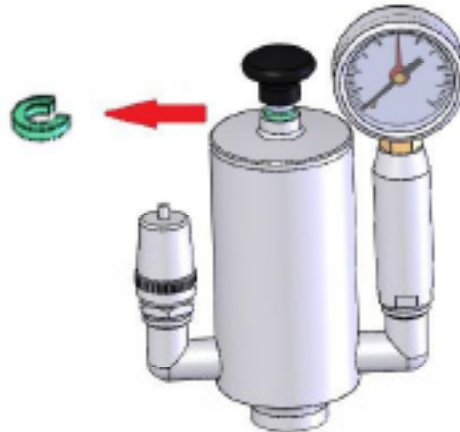
Garanția nu acoperă piesele consumabile care se uzează prin utilizare (garniturile din cauciuc, becurile, părțile din plastic și sticle, etc.). De asemeni garanția nu se aplică aparatelor a căror instalare a fost efectuată contrar normelor (de către o persoană autorizată conform normelor în vigoare) și nici în cazul manipulării defectuoase (intervenții în interiorul aparatului etc.) sau dacă a fost deservit de către personal neinstruit și contrar ghidului de utilizare. Garanția nu se aplica defectelor datorate efectelor naturii sau forței majore.

SUPAPA DE SIGURANȚĂ LA SUPRAPRESIUNE

Înainte de a lănsa aparatul, trebuie scos inel (fig. 1, coment.1) care servește pentru protecția supapei de siguranță la suprapresiune pe timp de manipulare. În cazul în care inelul ar rămâne pe loc, supapă nu ar fi etanșă și s-ar produce degajarea aburilor.



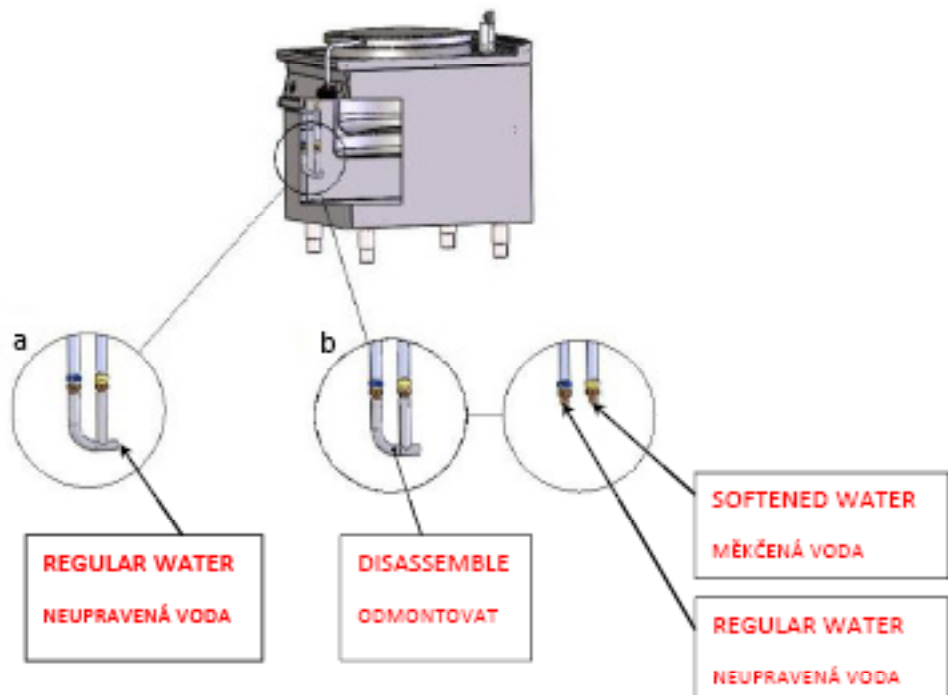
Add 1



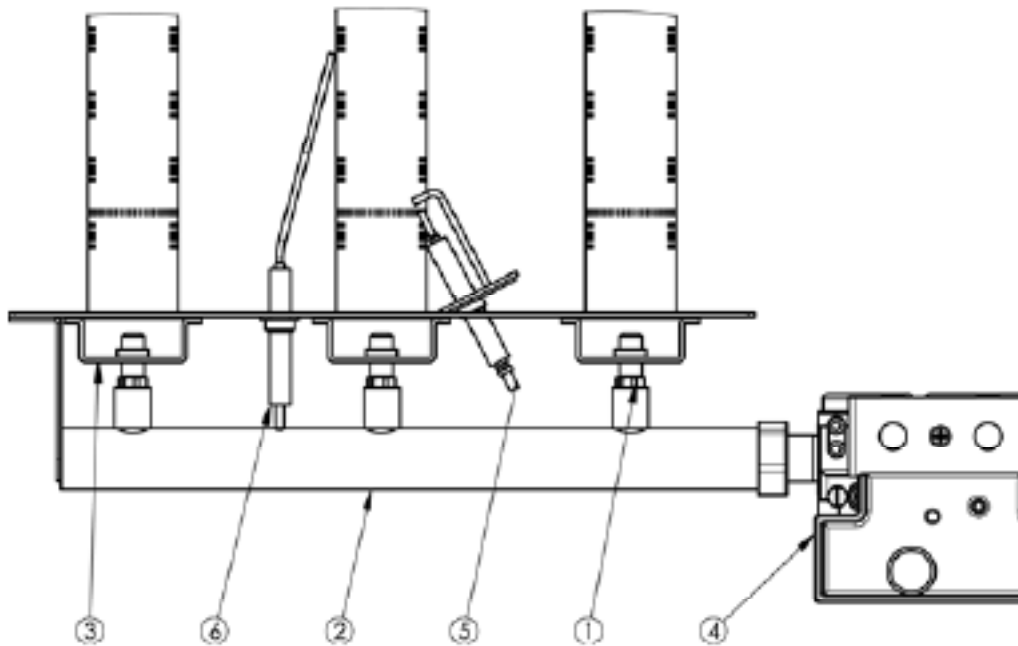
Add 2

a) For regular water only / Pouze pro neupravenou vodu

b) For softened and regular water / Pro měkčenou a neupravenou vodu

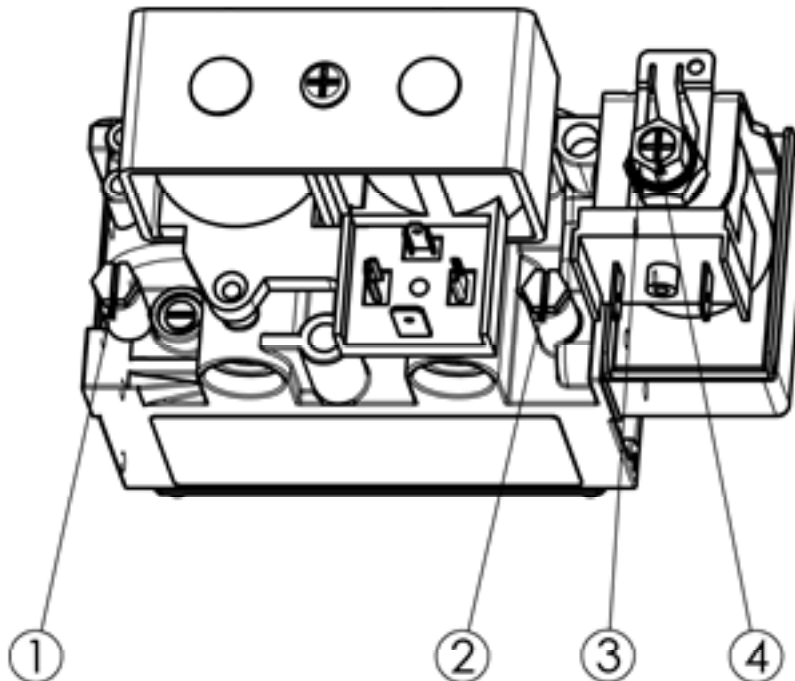


SUPAPA DE GAZ, DUZE ȘI ARZĂTOARE



- 1- duza
- 2- suportul duze
- 3- arzător
- 4 - supapă de gaz
- 5 - bujie
- 6 - electrod de ionizare

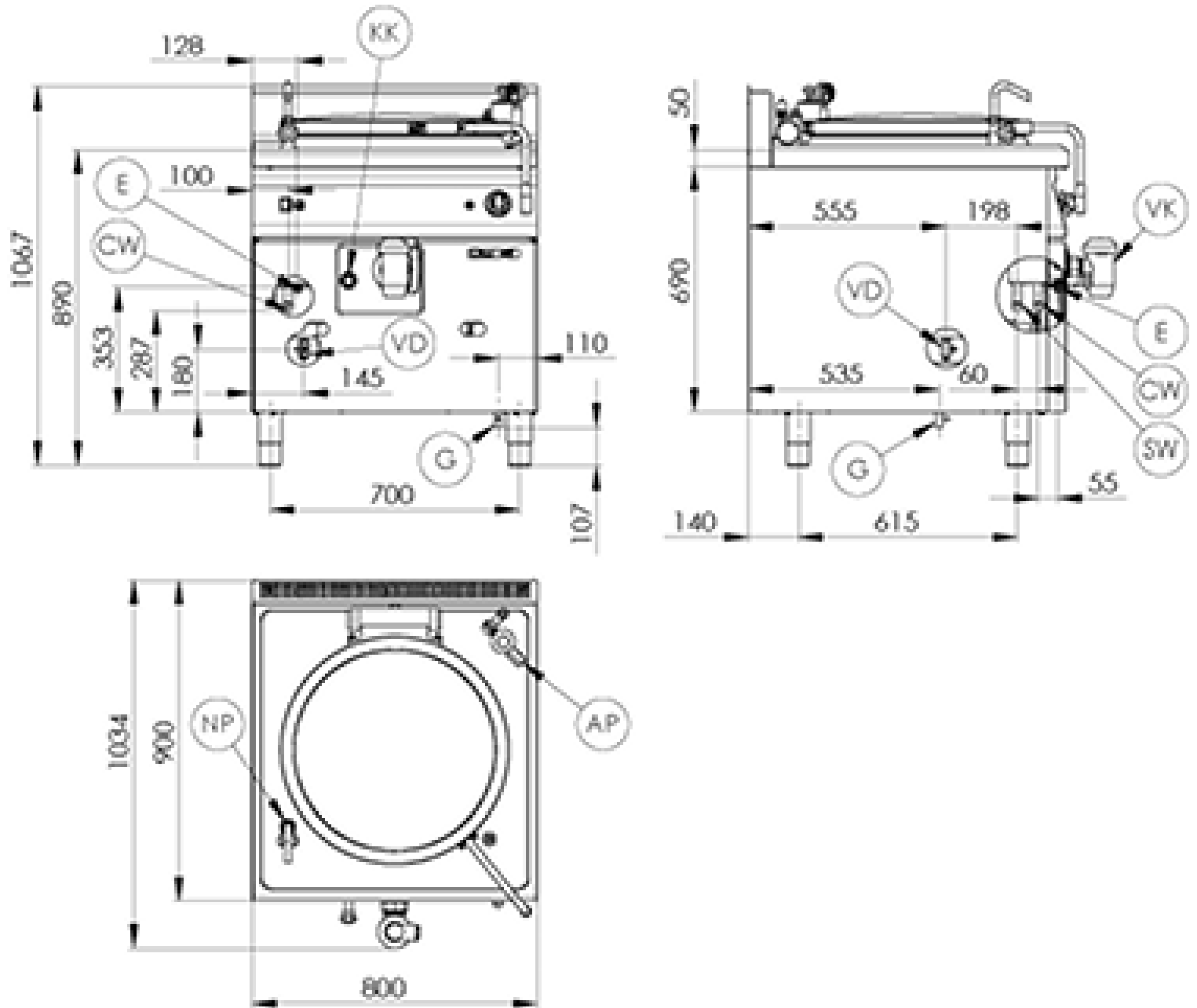
SUPAPA DE GAZ



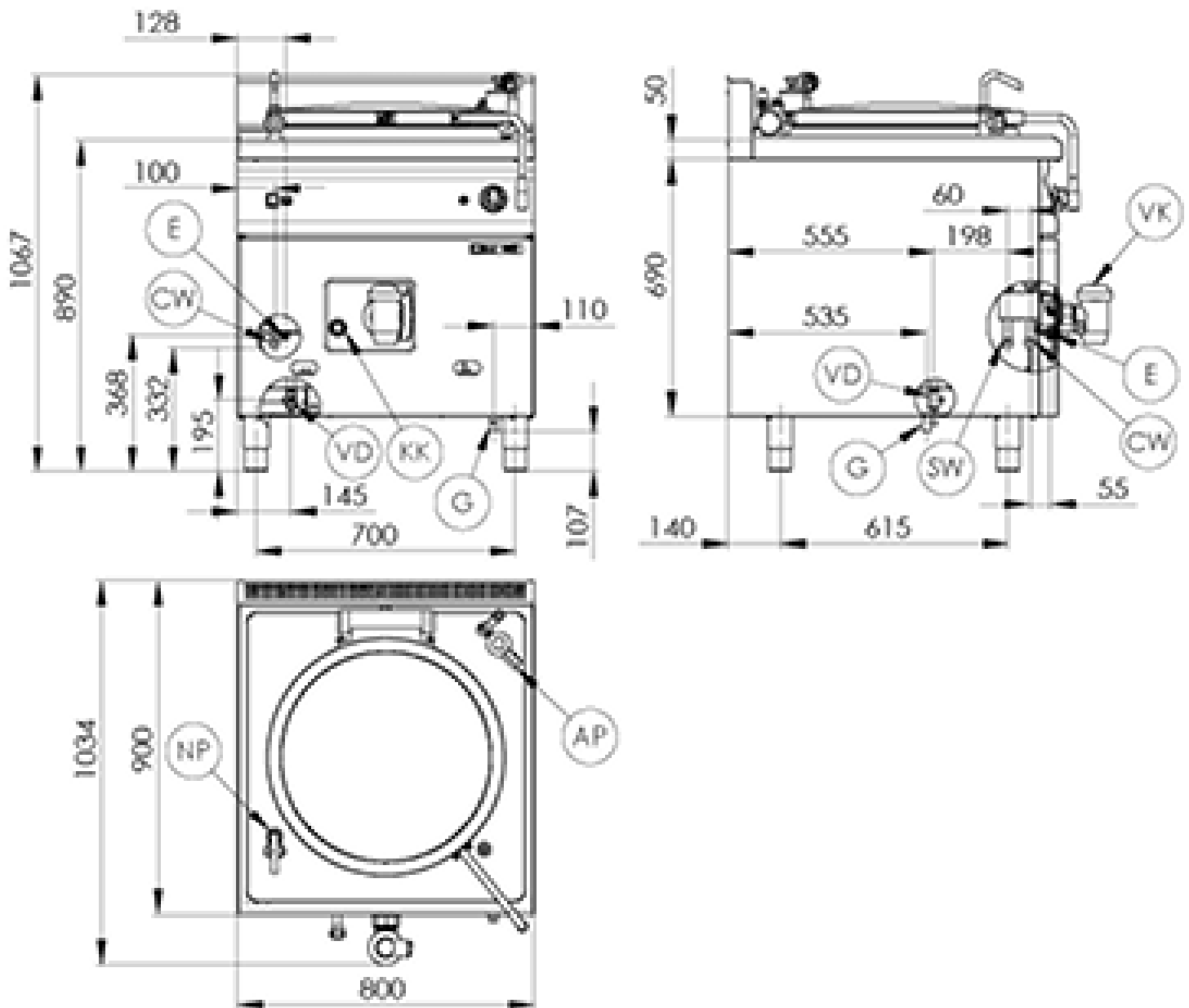
- 1 - punct de control presiune de ieșire a gazului
- 2 - punct de control presiune de intrare a gazului
- 3 - piulița de reglarea presiunii la randament maxim
- 4 - șurubul de reglarea a presiunii în regim economic

DIMENSIUNILOR IMAGINE

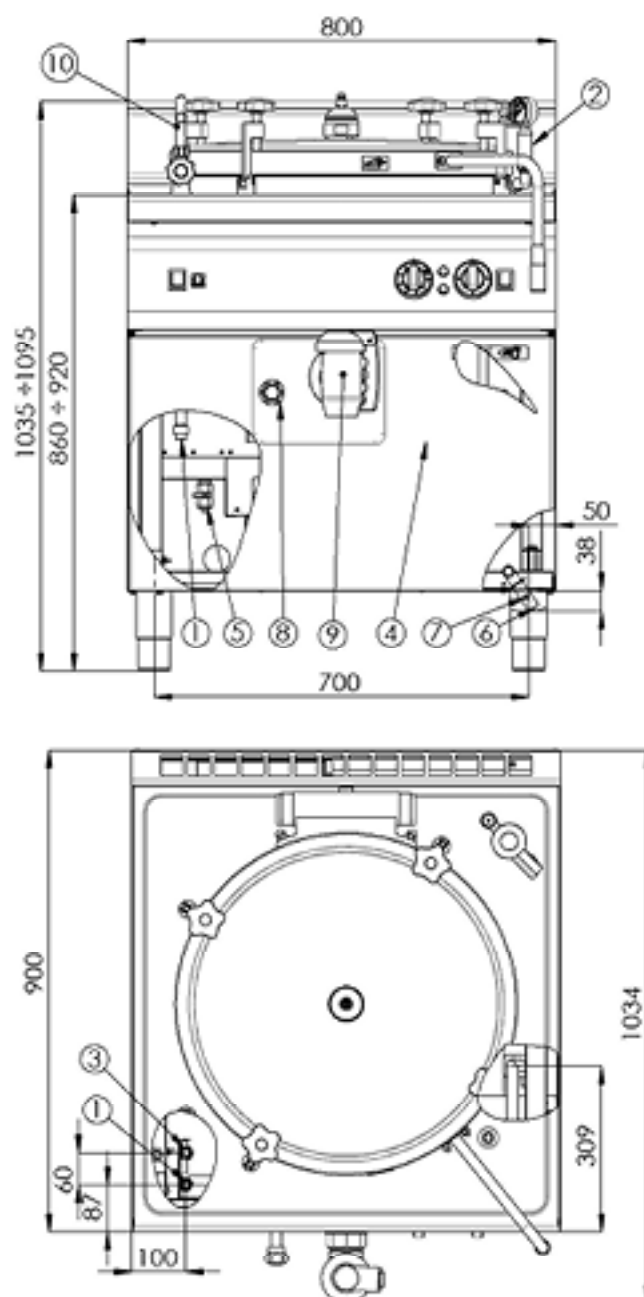
BI - 90/100 G



BI - 90/150 G

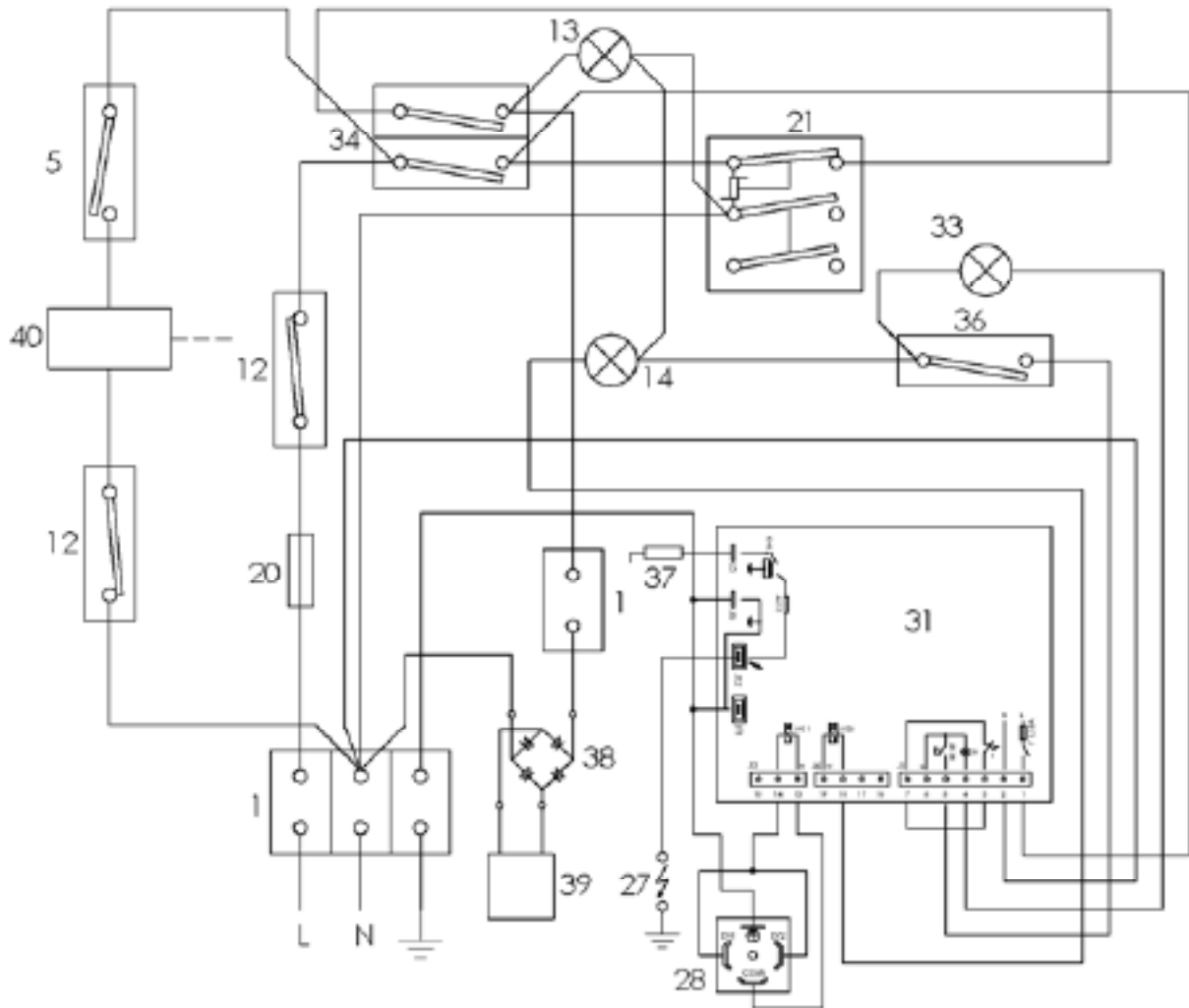


BIA 90/100 G



1 - PŘÍVOD STUDENÉ VODY	6- PŘÍVOD PLYNU
2 -POJISTNÝ VENTIL + MONOMETR	7 -MÍSTO KONTROLY VSTUPNÍHO TLAKU PLYNU
3 -PŘÍVOD ZMĚKČELÉ VODY	8 -KONTROLNÍ KOHOUP HLADINY DUPLIKÁTORU
4 -PŘÍVOD NAPĚTÍ 230V	9 -VYPOUŠTĚCÍ KOHOUP DUPLIKÁTORU
5 -VYPOUŠTĚCÍ KOHOUP DUPLIKÁTORU	10-NAPOUŠTĚCÍ BATERIE

SCHEMA CONECTRII



- E - ALIMENTAIRE CU ENERGIE ELECTRICĂ**
- G - ADMISIUNE GAZ**
- HW - ADMISIUNE APĂ CALDĂ**
- SW - ADMISIUNE APĂ DEDURIZATĂ**
- CW - ADMISIUNE APĂ RECE**
- VK - DESCĂRCARE APĂ DIN CAZAN**
- VD - DESCĂRCARE APĂ DIN DUPLICĂTOR**
- KK - ROBINET DE CONTROL NIVEL APĂ ÎN DUPLICĂTOR**
- NB - BATERIE DE UMLERE**

- AP - ARMĂTURĂ DE SIGURANȚĂ**

supapă de demontare

Estrazione ed inserimento del maschio

Portare il rubinetto in posizione di rubinetto aperto fig. A.

Allentare il grano (6) non è necessario svitarlo del tutto Fig. B.

Svitare la ghiera (5) fig. C.

Sfilare il maschio (2) dal corpo (1) fig. D.

Riposizionare il maschio (2) all'interno del corpo (1) inserendo la vite di fermo rotazione nell'apposita feritoia posta sul corpo (1) fig. E.

Avvitare la ghiera (5) controllando che il serraggio non blocchi la rotazione del maschio (2).

Bloccare il grano (6)

Extraction and insertion of the male

Take the drain cock to the open position form A.

Loosen the pin (6) it is not necessary to unscrew completely form B.

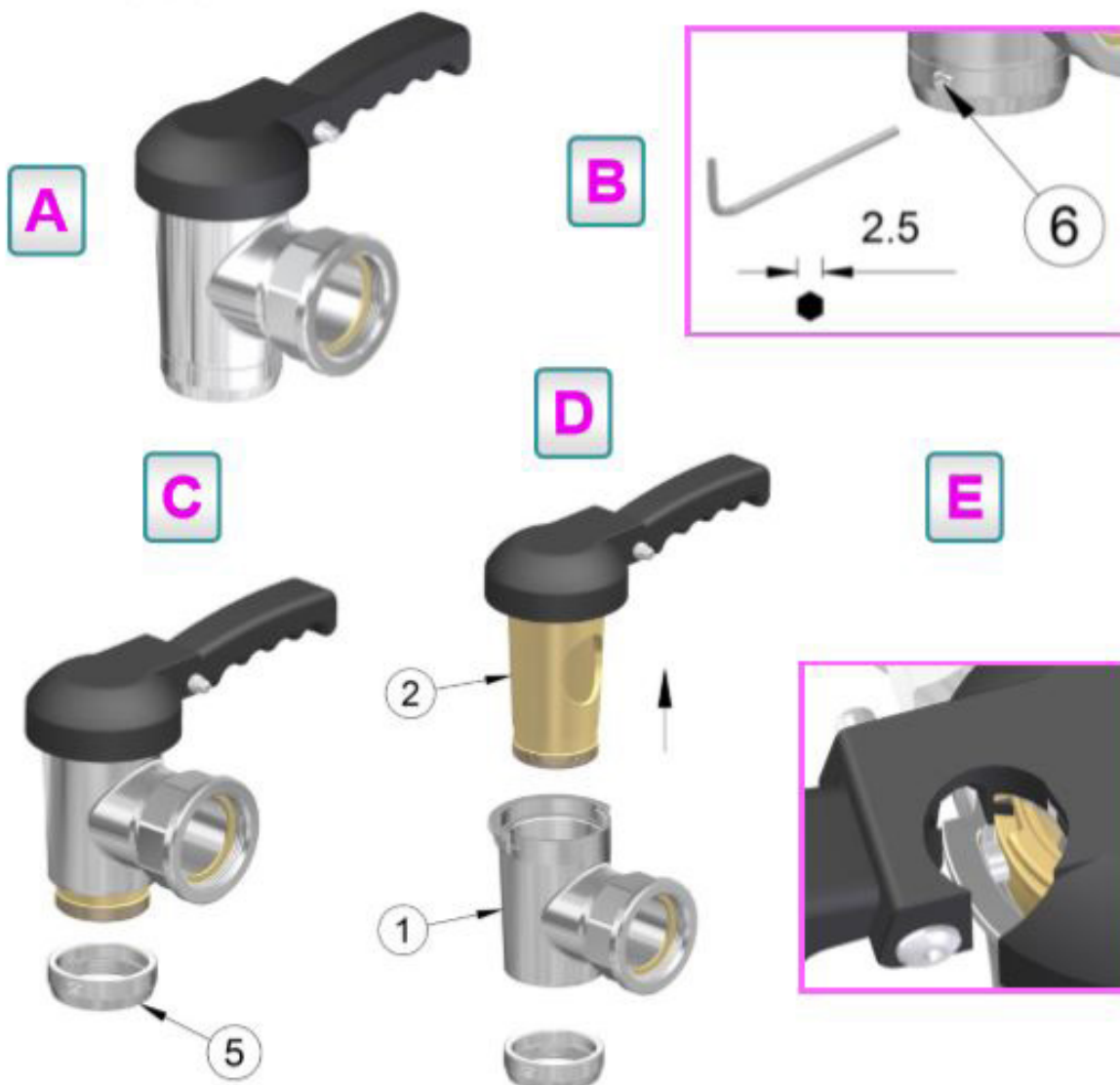
Unscrew the metal ring (5) form C.

Extract the male (2) from the body (1) form D.

Replace the male (2) in the body (1) put in the screw for rotation stop in the slit on the body (1) form E.

Screw the metal ring (5) checking that the tightening doesn't stop the rotation of the male (2).

Block the pin (6)



List of service organizations:

CZ: RM GASTRO CZ s. r. o., Náchodská 818/16, Praha 9

Tel. +420 281 926 604, info@rmgastro.cz, www.rmgastro.cz

SK: RM Gastro Slovakia, Rybárska 1, Nové Město nad Váhom

Tel.: +421 32 7717061, obchod@rmgastro.sk, www.rmgastro.sk

PL: RM GASTRO Polska Sp. z o. o., ul. Skoczowska 94, 43-450 Ustroń

Tel.: +33 854 73 26, www.rmgastro.pl